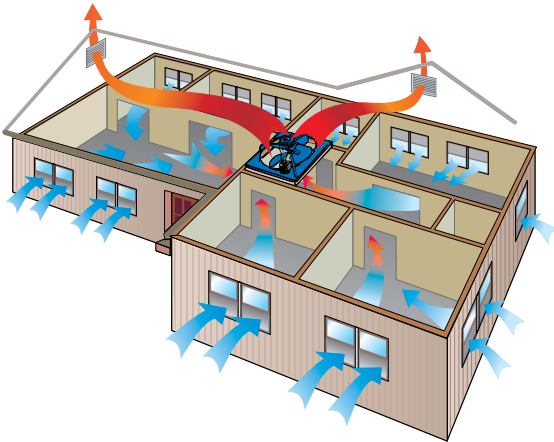




THE COMFORT AIDE

Triangle's Comfort Aide direct drive whole house fans are an efficient, economical way to cool your home. Our Comfort Aide Fans will cool your home to the outside temperature 5 to 10 times faster than central air conditioning at less than 1/10th the cost!

- Two-speed direct drive motor
- Two-speed pull chain switch included
- Three-wing propeller
- Rubber mounts for quieter operation
- Heavy gauge steel construction
- Easy installation, UL listed
- CSS no-cut joist shutter included
- Optional two-speed wall switch and 12-hour timer available (each sold separately)



WHOLE HOUSE FANS AND SHUTTERS: COMFORT AIDE

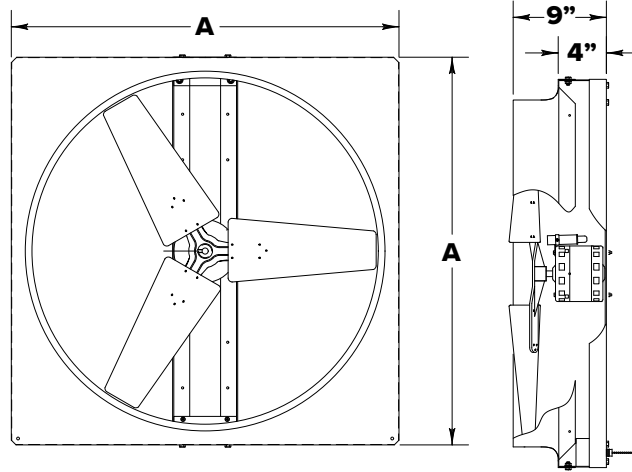
501-982-7558 ▶ TriangleFans.com

COMFORT AIDE

MODEL	BLADE DIAMETER	HP	AMP	RPM HI / LO	CFM HI / LO	Square Footage Cooled	Min Free Exhaust Area Required	SHIP WEIGHT (LBS)
CA2421-S	24	1/4	2.0	840/745	4,000/3,500	600-800	8 sq ft	57
CA3021-S	30	1/4	2.0	815/650	5,900/4,700	800-1000	10 sq ft	64

COMFORT AIDE DIMENSIONS

Diameter	A
24"	30"
30"	34"



OPTIONAL TIMER

12 Hour	FG-12HRTIM
---------	------------

INCLUDED NO-CUT JOIST SHUTTER SPECIFICATIONS

MODEL	Shutter	Outside Dimensions	Inside Dimension	Opening Size
CA2421-S	CSS-24	24"x32"	22"x30"	10 1/4"x 30 1/4"
CA3201-S	CSS-30	32"x35"	30"x33"	14 1/4"x33 1/4"

Opening Sizes: Installs centered on a joist with 16" or 24" centers. Cut two openings, one on each side of center joist per shutter model.

OPTIONAL



2 SPEED WALL SWITCH

OPTIONAL



12 HOUR TIMER

