



## THE PFG SERIES

Triangle's "PFG" series agricultural fans are designed to move and replace stagnant air in your buildings or to cool buildings in livestock applications. Our "PFG" series fans are offered in belt or direct drive models and have an all galvanized construction. The "PFG" Series is ideal for livestock applications, greenhouses and many others.

### Features

- Rugged heavy gauge galvanized housing, frame and blade
- Galvanized welded bird screen on both front and back
- Rolled inlet venturi for efficient air flow
- Totally enclosed motor
- Single-phase fans are factory wired 230 volt and provided with a power cord with molded plug
- Three-phase models available
- Belt driven fans are designed with Triangle's "X-Wing" belt tensioner providing low maintenance and extending the life of the belt and motor



## DIRECT DRIVE

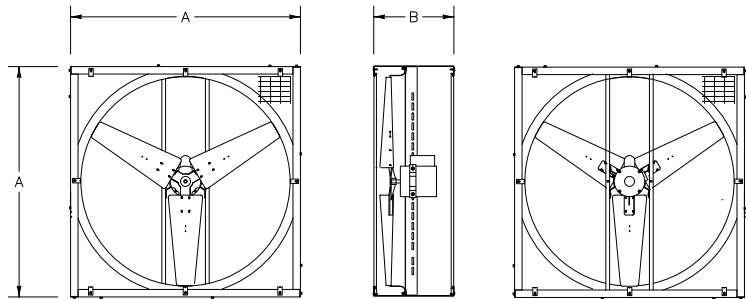


- Rugged heavy gauge galvanized housing, frame and blade
- Galvanized welded bird screen on both front and back
- Rolled inlet venturi for efficient air flow
- Totally enclosed motors
- Consult factory for 115V models

Diameter	Model	Volts	HP	Amps	RPM	0.00" SP		0.05" SP		0.10" SP		Approximate Weight
						CFM	CFM/Watt	CFM	CFM/Watt	CFM	CFM/Watt	
36"	PFG3613D	230/1	1/2	3.0	843	10,517	18.7	9,838	17.1	9,108	15.0	91
	PFG3615D	230/1	1	4.6	840	13,400	13.5	12,800	12.5	12,060	11.6	104
	PFG3615D-460	230/460/3	1	5.2/2.6	820	13,080	14.5	12,490	13.3	11,770	12.3	104
42"	PFG4213D	230/1	1/2	3.0	794	13,060	18.9	11,680	17.8	10,300	15.8	126
	PFG4215D-460	230/460/3	1	5.2/2.6	833	16,200	16.3	15,300	15.0	14,400	13.8	144
48"	PFG 4815 D	230/1	1	4.6	839	18,440	18.6	17,060	16.7	15,730	15.1	166
	PFG 4815 D-460	230/460/3	1	5.2/2.6	839	18,620	20.6	17,230	18.4	15,890	16.6	166

\*Performance data includes the effect of a shutter

Dimensions "PFG" Direct Drive		
Diameter	A	B
36"	40 3/4"	16"
42"	46 3/4"	16"
48"	52 3/4"	16"



## AUTOMATIC DOORS

- Increased airflow without increasing horsepower
- Galvanized steel frames with bronze powder coat finish
- Mill finish aluminum doors
- Automatically opens when fan is turned on without motors or linkages to maintain



Model	Size	Outside Dimension	Inside Dimensions	Depth	Weight
IWD 36	36"	42 1/2" x 42 1/2"	40" x 40"	4.5"	38
IWD 48	48"	54 1/2" x 54 1/2"	52" x 52"	4.5"	52





## BELT DRIVE

- Rugged heavy gauge galvanized housing, frame and blade
- Galvanized welded bird screen on both front and back
- Rolled inlet venturi for efficient air flow
- Totally enclosed motors
- Consult factory for 115V models

### FOUR BLADE MODELS

Diameter	Model	Volts	HP	Amps	RPM	0.00" SP		0.05" SP		0.10" SP		Approximate Weight
						CFM	CFM/Watt	CFM	CFM/Watt	CFM	CFM/Watt	
36"	PFG 3613	230/1	1/2	3.8	550	10,406	16.3	9,478	14.3	8,432	12.4	132
42"	PFG 4213	230/1	1/2	3.8	499	12,678	19.9	11,736	17.4	10,615	15.2	160
48"	PFG 4815	230/1	1	5.5	475	19,504	18.5	18,056	16.8	16,330	15.0	194
54"	PFG 5415	230/1	1	5.5	450	22,917	22.9	21,048	20.6	18,784	17.7	237

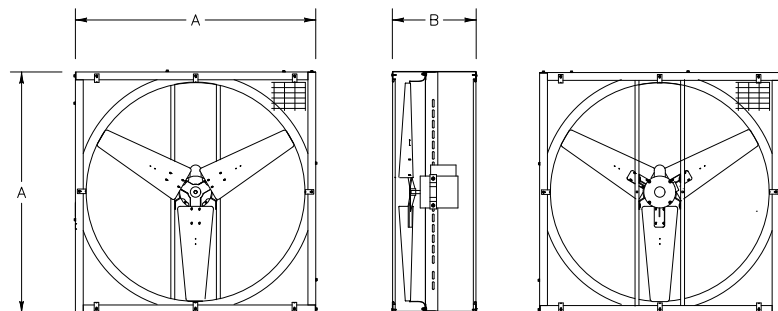
### SIX BLADE MODELS

Diameter	Model	Volts	HP	Amps	RPM	0.00" SP		0.05" SP		0.10" SP		Approximate Weight
						CFM	CFM/Watt	CFM	CFM/Watt	CFM	CFM/Watt	
36"	PFG 36136	230/1	1/2	3.8	560	11,010	16.5	10,450	14.6	9,820	13.3	137
42"	PFG 42136	230/1	1/2	3.8	494	13,610	20.4	12,050	17.7	11,215	15.1	165
48"	PFG 48156	230/1	1	5.5	482	19,723	18.5	18,436	16.7	16,992	14.9	201
54"	PFG 54156	230/1	1	5.5	419	23,214	22.0	21,566	19.8	19,708	17.6	242

\*Performance data includes the effect of a shutter

#### Dimensions "PFG" Belt Drive

Diameter	A	B
36"	40 3/4"	20"
42"	46 3/4"	20"
48"	52 3/4"	20"
54"	60 3/4"	20"



**AGRICULTURAL FANS: PFG BELT DRIVE**

501-982-7558 ▶ [TriangleFans.com](http://TriangleFans.com)