



# TUBE AXIAL FANS

Triangle's Tube Axial Fans employ an all welded construction and are designed and engineered to deliver excellent airflow. Tube Axial Fans can be utilized for supply or exhaust applications.

## Features

- Standard sizes 20," 24," 30," 36," 42" and 48" inside diameter (custom sizes available— please consult factory for options and availability.)
- CFM ranges from 5,730 to 57,100
- Intake or exhaust systems
- Welded heavy gauge steel construction
- Standard finish: durable gray polyester powder coat

## Options

- Inlet or outlet screen guards are required when the fan installation is below 7' from the floor.
- Access doors are recommended for direct drive TAD fans when installed in duct systems for drive inspection.
- Formed angle mounting legs bolt to the fan housing flanges to facilitate wall or ceiling mounting.
- Companion flanges are available to match fan flanges for duct installation.
- Operational range up to 150° F subject to motor design temperature limitations



## TUBE AXIAL DIRECT DRIVE MODELS

- All welded construction
- Gray polyester powder coat finish
- Cast aluminum propeller
- For applications without corrosive or contaminated airstreams

Diam	HP	RPM	Tip Speed	Performance					Totally Enclosed		Hazardous Location*	
				0.0 SP	.125 SP	.25 SP	.375 SP	.50 SP	1PH	3PH	1PH	3PH
24"	1/2	1150	7225	5,850	5,200	4,830	4,050	2,920	TAD2413T-U-1200	TAD2413T-X-1200	TAD2413HL-U-1200	TAD2413HL-X-1200
	3/4	1150	7225	6,520	6,020	5,440	4,740	3,660	TAD2414T-U-1200	TAD2414T-X-1200	TAD2414HL-U-1200 (!)	TAD2414HL-X-1200
	1	1750	11100	6,960	6,460	5,970	5,440	4,960	TAD2415T-U-1800	TAD2415T-X-1800	TAD2415HL-U-1800 (!)	TAD2415HL-X-1800
	1 1/2	1750	10990	8,030	7,570	7,020	6,520	6,030	TAD2416T-U-1800	TAD2416T-X-1800	TAD2416HL-U-1800	TAD2416HL-X-1800
	2	1750	10990	9,110	8,550	8,050	7,500	6,820	TAD2417T-U-1800	TAD2417T-X-1800	TAD2417HL-U-1800	TAD2417HL-X-1800
30"	1/2	860	6750	7,830	6,830	5,690	3,810	1,670		TAD3013T-X-900		
	3/4	860	6750	9,410	8,340	7,010	4,120	2,470		TAD3014T-X-900		
	1	1150	9030	8,910	8,230	7,450	6,630	5,630		TAD3015T-X-1200	TAD3015HL-U-1200	TAD3015HL-X-1200
	2	1150	9030	12,600	11,800	10,900	9,980	8,870		TAD3017T-X-1200		TAD3017HL-X-1200
	3	1750	13750	15,300	14,500	13,800	12,900	12,100	TAD3018T-U-1800	TAD3018T-X-1800	TAD3018HL-U-1800	TAD3018HL-X-1800
36"	3/4	860	8150	12,400	10,900	9,180	7,050	3,970		TAD3614T-X-900		
	1	860	8150	14,200	12,800	11,000	8,920	5,550		TAD3615T-X-900		
	2	1150	10850	17,800	16,700	15,500	14,300	12,800		TAD3617T-X-1200		TAD3617HL-X-1200
	3	1150	10850	20,100	19,100	17,800	16,600	15,100	TAD3618T-U-1200	TAD3618T-X-1200		TAD3618HL-X-1200
	5	1150	10850	23,100	21,900	20,400	18,500	16,200		TAD3619T-X-1200		TAD3619HL-X-1200
	7 1/2	1150	10850	25,500	24,400	23,200	22,200	21,200		TAD361AT-X-1200		TAD361AHL-X-1200
42"	2	860	9455	15,500	14,700	13,800	12,900	12,000		TAD4217T-X-900		
	3	860	9455	24,600	23,200	21,400	20,700	17,800		TAD4218T-X-900		
	5	860	9455	26,900	26,000	25,100	24,100	23,200		TAD4219T-X-900		
		1150	12630	27,700	26,700	25,800	24,600	23,300		TAD4219T-X-1200		TAD4219HL-X-1200
	7 1/2	1150	12630	32,900	31,700	30,500	29,400	28,200		TAD421AT-X-1200		TAD421AHL-X-1200
	10	1150	12630	37,600	36,400	35,100	33,900	32,500		TAD421BT-X-1200		TAD421BHL-X-1200
48"	3	860	10810	29,300	26,900	25,300	23,200	18,800		TAD4818T-X-900		
	5	860	10810	30,400	29,500	28,600	27,600	26,600		TAD4819T-X-900		
	7 1/2	1150	14450	35,100	33,800	32,900	32,100	30,600		TAD481AT-X-1200		TAD481AHL-X-1200
	10	1150	14450	37,300	36,600	35,900	35,200	34,500		TAD481BT-X-1200		TAD481BHL-X-1200
	15	1150	14450	47,100	46,300	45,600	45,000	44,300		TAD481CT-X-1200		TAD481CHL-X-1200

\*See page 113 for information on hazardous location models.



**TUBE AXIAL FANS: TUBE AXIAL SERIES**

501-982-7558 ▶ TriangleFans.com



## TUBE AXIAL BELT DRIVE MODELS

- All welded construction
- Extended lubrication lines
- Cast aluminum propellers
- Motor, belt drive & bearings are isolated from the airstream
- For corrosive and contaminated airstream applications

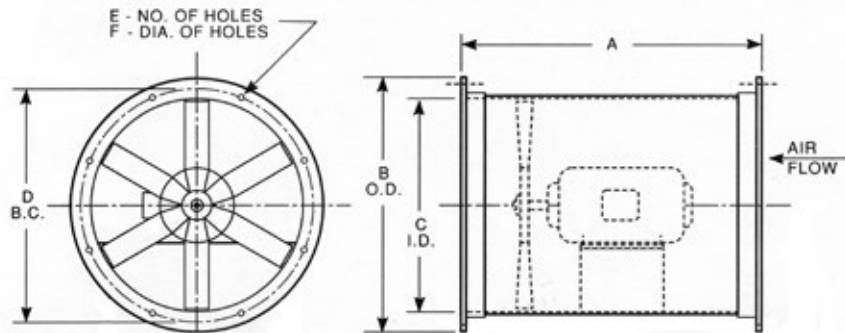
Diam	HP	Tip Speed	Performance					Totally Enclosed		Hazardous Location*	
			0.0 SP	.125 SP	.25 SP	.375 SP	.50 SP	1PH	3PH	1PH	3PH
24"	1/2	6,760	6,257	5,637	5,002	4,175	2,774	TAB2413T-U	TAB2413T-X	TAB2413HL-U	TAB2413HL-X
	3/4	7,520	6,995	6,503	5,954	5,430	4,719	TAB2414T-U	TAB2414T-X	TAB2414HL-U	TAB2414HL-X
	1	8,430	7,835	7,392	6,892	6,382	5,798	TAB2415T-U	TAB2415T-X	TAB2415HL-U	TAB2415HL-X
	2	10,670	9,946	9,563	9,211	8,810	8,344	TAB2417T-U	TAB2417T-X	TAB2417HL-U	TAB2417HL-X
	3	12,200	11,459	11,164	10,824	10,495	10,104	TAB2418T-U	TAB2418T-X	TAB2418HL-U	TAB2418HL-X
30"	1/2	7,040	7,899	7,029	5,843	4,207	2,313	TAB3013T-U	TAB3013T-X	TAB3013HL-U	TAB3013HL-X
	3/4	7,020	9,445	8,341	7,266	5,620	2,318	TAB3014T-U	TAB3014T-X	TAB3014HL-U	TAB3014HL-X
	1	7,740	10,491	9,501	8,330	7,438	5,899	TAB3015T-U	TAB3015T-X	TAB3015HL-U	TAB3015HL-X
	2	9,880	13,342	12,607	11,808	11,059	10,244	TAB3017T-U	TAB3017T-X	TAB3017HL-U	TAB3017HL-X
	3	11,540	16,329	15,004	14,302	13,584	12,993	TAB3018T-U	TAB3018T-X	TAB3018HL-U	TAB3018HL-X
36"	1	7,860	14,565	13,089	11,390	9,248	5,483	TAB3615T-U	TAB3615T-X	TAB3615HL-U	TAB3615HL-X
	2	9,790	18,361	17,185	15,940	14,587	12,956	TAB3617T-U	TAB3617T-X	TAB3617HL-U	TAB3617HL-X
	3	11,180	20,860	19,876	18,793	17,625	16,384	TAB3618T-U	TAB3618T-X	TAB3618HL-U	TAB3618HL-X
	5	13,180	24,717	23,833	23,024	22,046	21,040		TAB3619T-X		TAB3619HL-X
	7 1/2	15,190	28,369	27,608	26,868	26,069	25,203		TAB361AT-X		TAB361AHL-X
42"	2	7,520	19,398	17,826	16,080	13,940	10,707	TAB4217T-U	TAB4217T-X	TAB4217HL-U	TAB4217HL-X
	3	8,590	22,772	20,848	19,393	17,754	15,440	TAB4218T-U	TAB4218T-X	TAB4218HL-U	TAB4218HL-X
	5	10,260	26,552	25,437	24,148	22,966	21,555		TAB4219T-X		TAB4219HL-X
	7 1/2	11,850	30,670	29,684	28,647	27,595	26,390		TAB421AT-X		TAB421AHL-X
	10	13,140	34,072	33,185	32,231	31,167	30,356		TAB421BT-X		TAB421BHL-X
48"	3	8,950	29,134	26,490	24,583	22,302	19,406	TAB4818T-U	TAB4818T-X	TAB4818HL-U	TAB4818HL-X
	5	10,530	34,496	31,989	30,233	28,613	26,663		TAB4819T-X		TAB4819HL-X
	7 1/2	12,140	39,698	37,240	35,977	34,426	32,971		TAB481AT-X		TAB481AHL-X
	10	13,420	43,736	41,654	40,079	38,635	37,377		TAB481BT-X		TAB481BHL-X

\*See page 113 for information on hazardous location models.



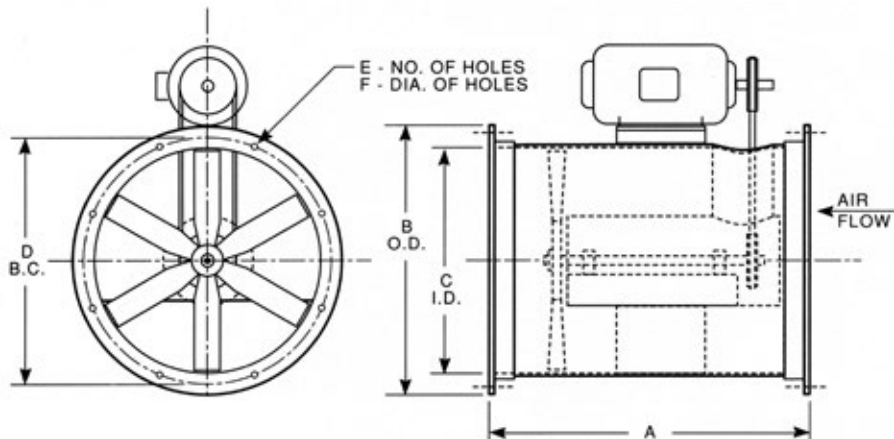
# TUBE AXIAL DIMENSIONS

## DIRECT DRIVE TUBE AXIAL DIMENSIONS



MODEL NO.	BLADE DIA.	DIMENSIONS						HOUSING GAUGE
		A	B	C	D	E	F	
TAD-24	23-12	20	27-18	24	25-7/8	12	7/16	16
TAD-30	29-12	22	34-18	30	32-3/8	16	7/16	16
TAD-36	35-12	28	40-18	36	38-3/8	16	7/16	16
TAD-42	41-12	28	46-18	42	44-3/8	24	7/16	14
TAD-48	47-12	30	52-18	48	50-3/8	24	7/16	14

## BELT DRIVE TUBE AXIAL DIMENSIONS



MODEL No.	BLADE Dia.	DIMENSIONS						HOUSING GAUGE
		A	B	C	D	E	F	
TAB-24	23-1/2	24	27-1/8	24	25-7/8	12	7/16	16
TAB-30	29-1/2	30	34-1/8	30	32-3/8	16	7/16	16
TAB-36	35-1/2	30	40-1/8	36	38-3/8	16	7/16	16
TAB-42	41-1/2	36	46-1/8	42	44-3/8	24	7/16	14
TAB-48	47-1/2	36	52-1/8	48	50-3/8	24	7/16	14

