

THE VI SERIES

Triangle's "VI" Series Belt Drive Heavy Duty Industrial Exhaust Fans are designed to meet the exhaust airflow needs of factories, warehouses, gymnasiums, greenhouses, and more. The "VI" Series Belt Drive Heavy Duty Industrial Exhaust Fans come standard with a polyester powder coated venturi to improve airflow and protect against corrosion as well as a heavy gauge galvanized housing for corrosion resistance. Also, open drip proof and totally enclosed fan cooled "VI" models up to 1 ½ HP come equipped with Triangle's exclusive "X-Wing" belt tensioner which reduces maintenance and extends belt and motor life.

Options

- Two-speed, single-phase motors up to 1/2HP, 115v only

Features

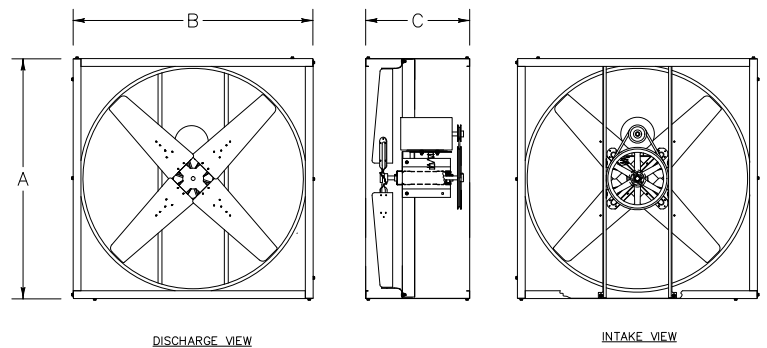
- Bronze powder coated rolled inlet venturi for efficient airflow
- Rugged heavy gauge galvanized housing
- Available in sizes from 24" to 60" blade diameter
- Available with ODP, TE and HL motors
- Belt drive



Diameter	HP	CFM 0.0 SP	0.125 SP	0.25 SP	0.5 SP	Weight (lbs)*	1-Phase		3-Phase		Hazardous Location*	
							Open Drip Proof Motor 115V/230V	Totally Enclosed Motor 115/230V	Open Drip Proof Motor 230/460V	Totally Enclosed Motor 230/460V	1-Phase	3-Phase
24"	1/3	4,190	3,250	1,950	----	100	VI2412-V (115V)	----	VI2412-X	----	VI2412HL-U	VI2412HL-X
	1/2	5,000	4,250	3,430	----	105	VI2413-V (115V) VI2413-W (230V)	VI2413T-U	VI2413-X	VI2413T-X	VI2413HL-U	VI2413HL-X
30"	1/3	7,080	6,050	4,940	----	111	VI3012-V (115V) VI3012-W (230V)	VI3012T-U	VI3012-X	VI3012T-X	VI3012HL-U	VI3012HL-X
	1/2	9,180	7,880	6,430	----	111	VI3013-V (115V) VI3013-W (230V)	VI3013T-U	VI3013-X	VI3013T-X	VI3013HL-U	VI3013HL-X
	3/4	9,840	8,650	7,190	----	114	VI3014-U	VI3014T-U	VI3014-X	VI3014T-X	VI3014HL-U	VI3014HL-X
36"	1/2	10,800	8,840	6,550	----	125	VI3613-V (115V) VI3613-W (230V)	VI3613T-U	VI3613-X	VI3613T-X	VI3613HL-U	VI3613HL-X
	3/4	11,100	7,850	4,380	----	136	VI3614-U	VI3614T-U	VI3614-X	VI3614T-X	VI3614HL-U	VI3614HL-X
	1	12,100	9,030	5,970	----	145	VI3615-U	VI3615T-U	VI3615-X	VI3615T-X	VI3615HL-U	VI3615HL-X
	1 1/2	13,110	9,820	6,450	----	160	VI3616-U	VI3616T-U	VI3616-X	VI3616T-X	VI3616HL-U	VI3616HL-X
	2	12,780	11,790	10,800	8,250	202	VI3617-U	----	VI3617-X	VI3617T-X	VI3617HL-U*	VI3617HL-X
	3	15,400	14,200	13,000	9,970	267	----	----	VI3618-X	VI3618T-X	----	VI3618HL-X
42"	1/2	13,000	9,730	4,270	----	150	VI4213-V (115V) VI4213-W (230V)	VI4213T-U	VI4213-X	VI4213T-X	VI4213HL-U	VI4213HL-X
	3/4	14,600	12,000	6,780	----	155	VI4214-U	VI4214T-U	VI4214-X	----	VI4214HL-U	VI4214HL-X
	1	16,000	11,600	6,040	----	171	VI4215-U	VI4215T-U	VI4215-X	VI4215T-X	VI4215HL-U	VI4215HL-X
	1 1/2	17,200	14,700	10,800	----	185	VI4216-U	VI4216T-U	VI4216-X	VI4216T-X	VI4216HL-U	VI4216HL-X
	2	16,800	15,100	13,200	----	210	VI4217-U	VI4217T-U	VI4217-X	VI4217T-X	----	----
48"	3/4	19,100	14,300	6,160	----	185	VI4814-U	VI4814T-U	VI4814-X	VI4814T-X	VI4814HL-U	VI4814HL-X
	1	20,600	16,000	7,770	----	195	VI4815-U	VI4815T-U	VI4815-X	VI4815T-X	VI4815HL-U	VI4815HL-X
	1 1/2	21,500	16,400	10,400	----	210	VI4816-U	VI4816T-U	VI4816-X	VI4816T-X	VI4816HL-U	VI4816HL-X
	2	21,100	19,000	16,500	----	240	VI4817-U	VI4817T-U	VI4817-X	VI4817T-X	VI4817HL-U*	VI4817HL-X
	3	23,700	21,500	19,300	----	305	VI4818-U	----	VI4818-X	VI4818T-X	VI4818HL-U	VI4818HL-X
	5	28,800	26,800	24,500	18,400	330	VI4819-W (230V)	----	VI4819-X	VI4819T-X	----	VI4819HL-X
54"	2	25,500	22,300	19,900	----	345	VI5417-U	VI5417T-U	VI5417-X	VI5417T-X	VI5417HL-U*	VI5417HL-X
	3	29,800	27,100	24,600	----	355	VI5418-U	----	VI5418-X	VI5418T-X	VI5418HL-U	VI5418HL-X
	5	37,300	35,000	32,600	26,500	365	VI5419-W (230V)	----	VI5419-X	VI5419T-X	----	VI5419HL-X
60"	2	30,800	27,800	23,900	----	425	VI6017-U	VI6017T-U	VI6017-X	VI6017T-X	VI6017HL-U*	VI6017HL-X
	3	34,700	31,700	28,700	20,800	430	VI6018-U	----	VI6018-X	VI6018T-X	VI6018HL-U	VI6018HL-X
	5	43,500	40,600	37,200	30,500	440	VI 6019 W (230V)	----	VI 6019 X	VI6019T-X	----	VI6019HL-X

*See page 113 for information on hazardous location models.

Dimensions "VI" Series				
Diameter	HP	A	B	C
24"	ALL	30 3/4"	30 3/4"	20"
30"	ALL	34 3/4"	34 3/4"	20"
36"	UP TO 1.5 HP	40 3/4"	40 3/4"	20"
	2 HP AND UP	40 3/4"	40 3/4"	30"
42"	UP TO 1.5 HP	46 3/4"	46 3/4"	20"
	2 HP AND UP	46 3/4"	46 3/4"	30"
48"	UP TO 1.5 HP	52 3/4"	52 3/4"	20"
	2 HP AND UP	52 3/4"	52 3/4"	30"
54"	ALL	62 7/8"	62 7/8"	30"
60"	ALL	68 7/8"	68 7/8"	30"



EXHAUST AND SUPPLY FANS: THE VI SERIES

501-982-7558 ▶ TriangleFans.com



HAZARDOUS LOCATION MODELS

Hazardous location models are made to order and are not returnable.
They come equipped with:

- No wiring
- Aluminum blades
- Stationary motor mounts

Motor Ratings

Belt Drive Models: Single Speed, DIV. I, Class I, Group D & Class II, Groups F & G

Direct Drive Models: Consult Factory

CAUTION - WARNING

Although this product is supplied with an explosion proof motor and blades with spark resistant aluminum paddles, it is not intended to convey the suitability of the overall finished product in a hazardous atmosphere, but only that the product has been supplied with certain components for this purpose. Application and wiring must be in accordance with local, state and national codes and performed by a qualified electrician. Fans not appropriate for use where paint residue can accumulate on motor or blade. Hazardous location motors **cannot be run into service factor** so fan performance may be slightly less than published.

