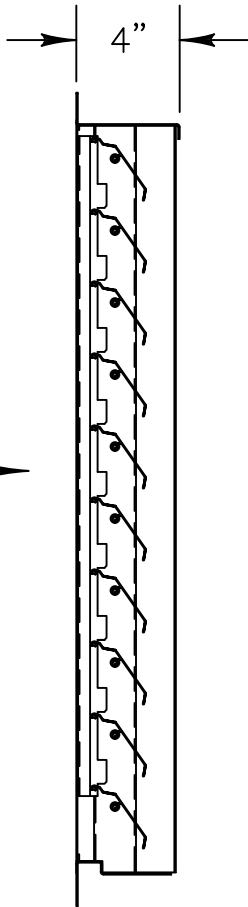
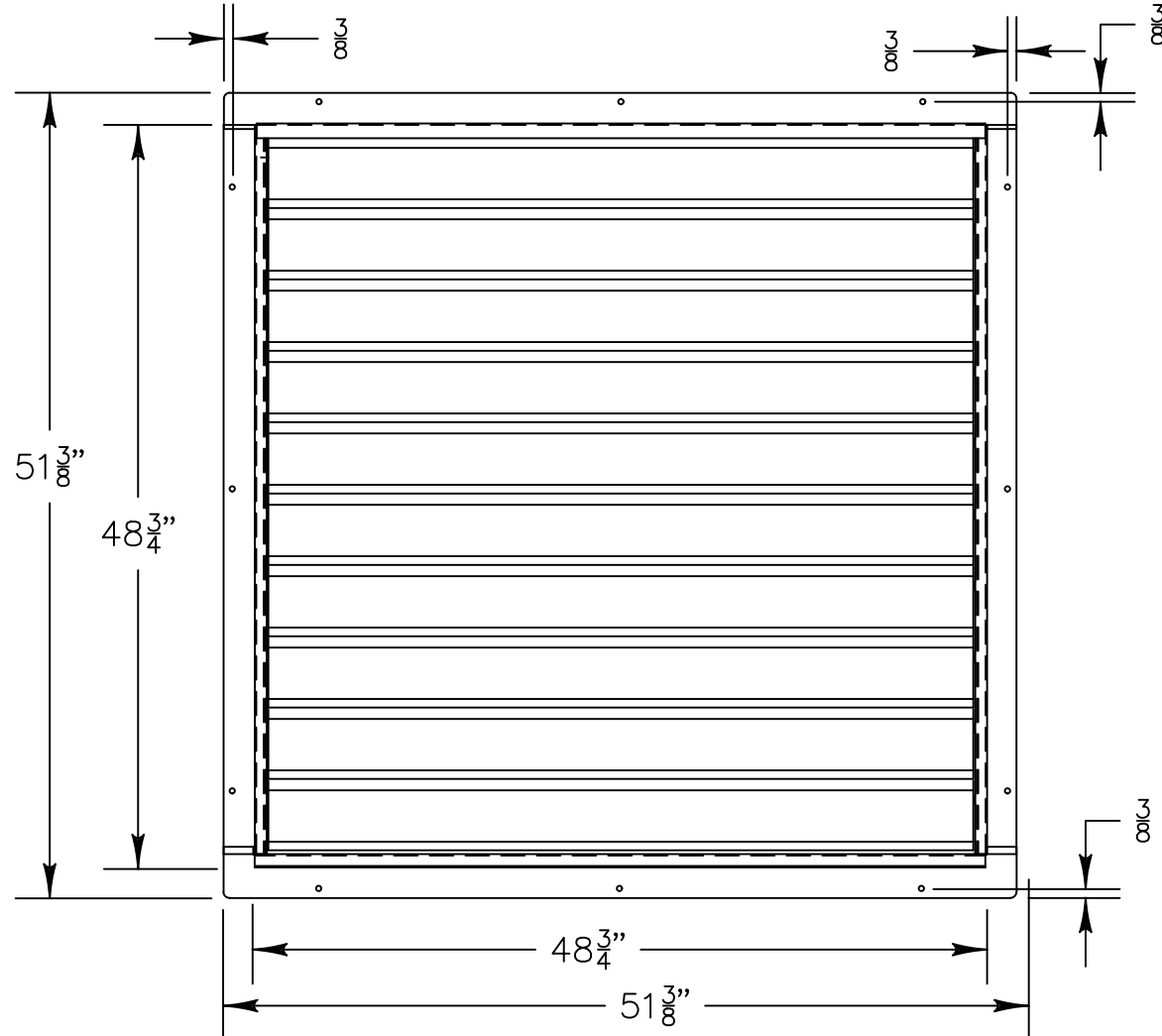


AIR FLOW



SIDE SECT VIEW



DISCHARGE VIEW

Shutter Specifications

- Intended Use: Exhaust
- Frame: Welded Galvanized Steel
- Finish: Bronze Polyester Powder Coat
- Mounting: Mounts directly to housing of VI48 and VID48 Series fans
- Blade Material: Extruded Aluminum
- Blade Thickness: .050"
- Bushings: Bronze Sintered

*See TriangleFans.com for performance specifications
 *Specifications are subject to change without notice



IWS45
 NOT TO SCALE 13 MAY 1999