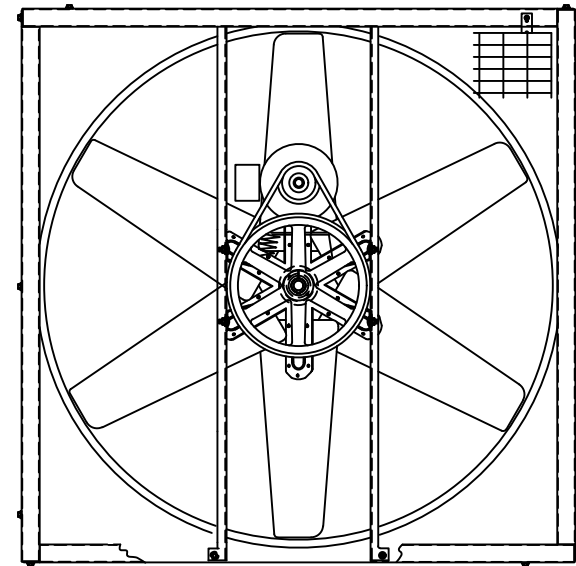
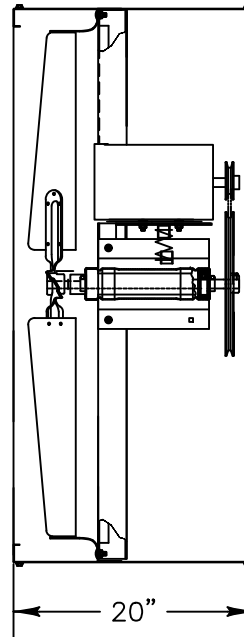


DISCHARGE VIEW



INTAKE VIEW

### Fan Specifications

Blade Diameter:	48"	Motor Enclosure:	TEAO
Drive:	Belt	Duty Cycle:	Continuous Duty
Horsepower:	1	Guards:	1"X2" Bird Screen
Voltage:	230	Power Cord:	10' with molded plug
Phase:	1		
RPM:	482		

\*See TriangleFans.com for performance specifications  
 \*Specifications are subject to change without notice



PFG48156

NOT TO SCALE 12 DEC 2003