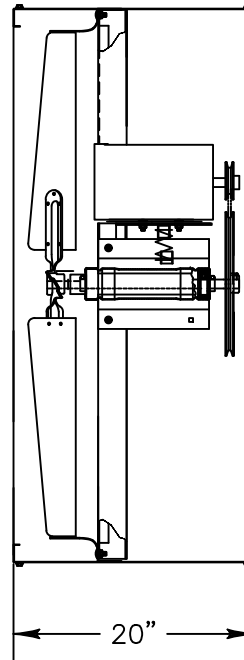
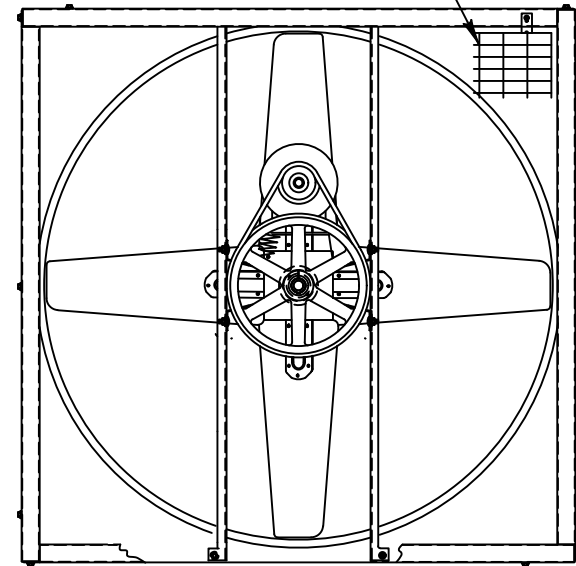


DISCHARGE VIEW



1' X 2" BIRD SCREEN ON
INTAKE AND DISCHARGE SIDES



INTAKE VIEW

Fan Specifications

Blade Diameter:	54"	Motor Enclosure:	TEAO
Drive:	Belt	Duty Cycle:	Continuous Duty
Horsepower:	1	Guards:	1"X2" Bird Screen
Voltage:	230	Power Cord:	10' with molded plug
Phase:	1		
RPM:	450		

*See TriangleFans.com for performance specifications
*Specifications are subject to change without notice



PFG5415

NOT TO SCALE | 13 OCT 2004