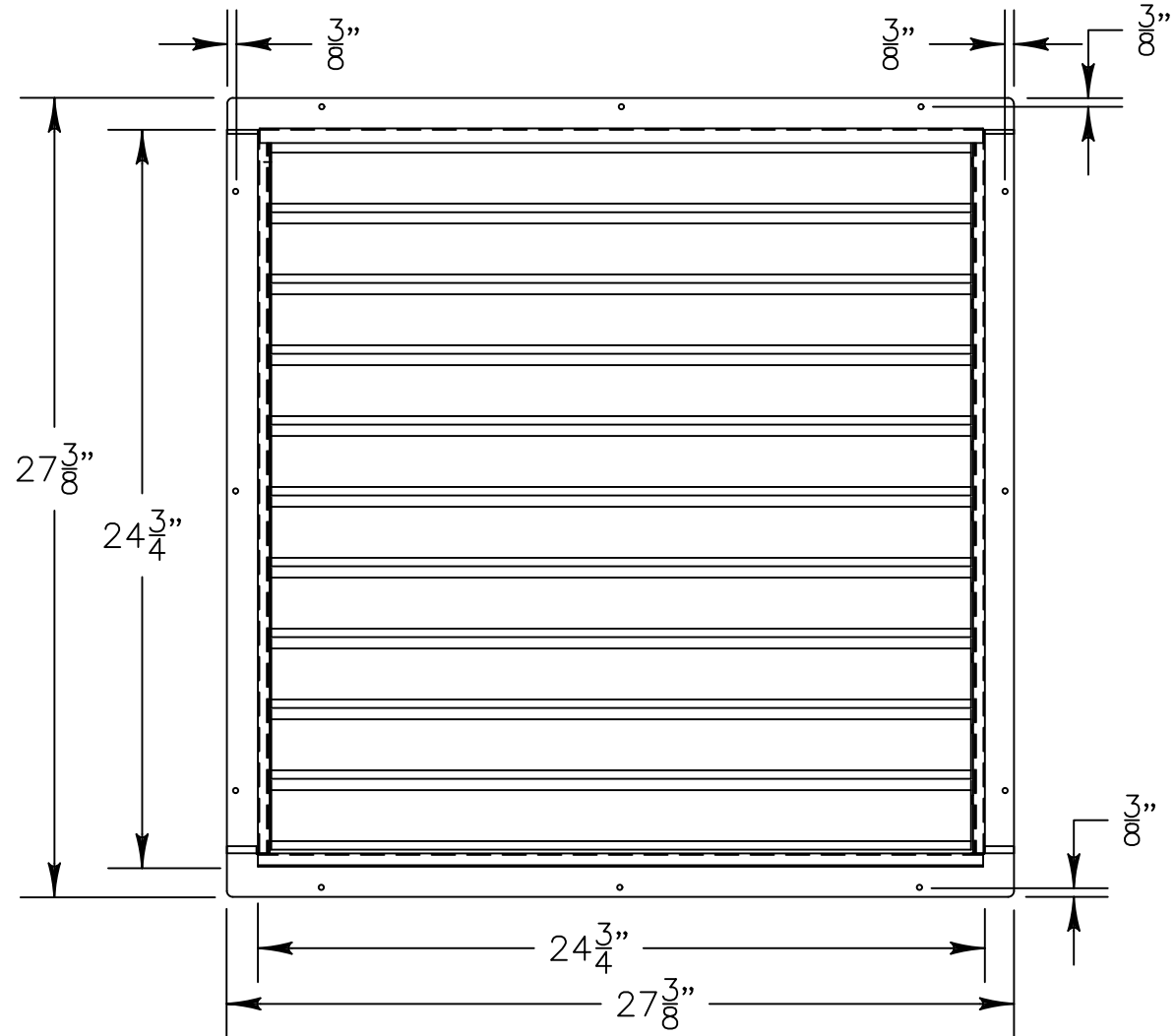


SIDE SECT VIEW



DISCHARGE VIEW

Shutter Specifications

Intended Use:	Supply	Blade Material:	Extruded Aluminum
Frame:	Welded Galvanized Steel	Blade Thickness:	.050"
Finish:	Bronze Polyester Powder Coat	Bushings:	Bronze Sintered
Note:	Must be equipped with an operator and Shutter must be fully opened before fan is energized. Operator sold separately.		

*See TriangleFans.com for performance specifications
 *Specifications are subject to change without notice



RIWS18
 NOT TO SCALE | 3 JUN 2015