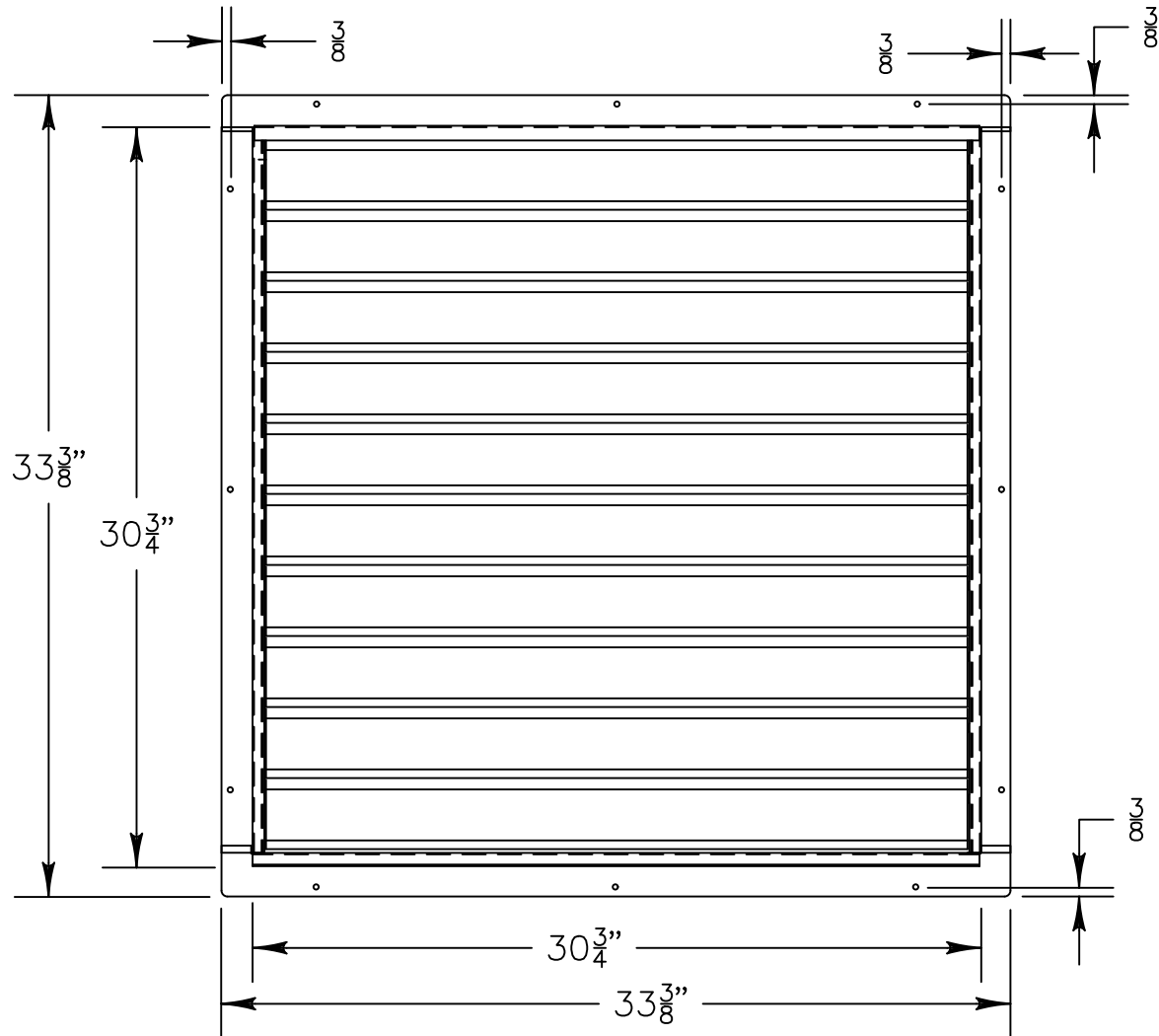


SIDE SECT VIEW



DISCHARGE VIEW

Shutter Specifications

- | | | | |
|---------------|---|------------------|-------------------|
| Intended Use: | Supply | Blade Material: | Extruded Aluminum |
| Frame: | Welded Galvanized Steel | Blade Thickness: | .050" |
| Finish: | Bronze Polyester Powder Coat | Bushings: | Bronze Sintered |
| Mounting: | Mounts directly to wall <u>OVER</u> a RVI24 Series fan or can Mount directly to housing on RVI30 fans | | |
| Note: | Must be equipped with an operator and Shutter must be fully opened before fan is energized. Operator sold separately. | | |
| | *See TriangleFans.com for performance specifications | | |
| | *Specifications are subject to change without notice | | |



RIWS24
NOT TO SCALE | 3 JUN 2015