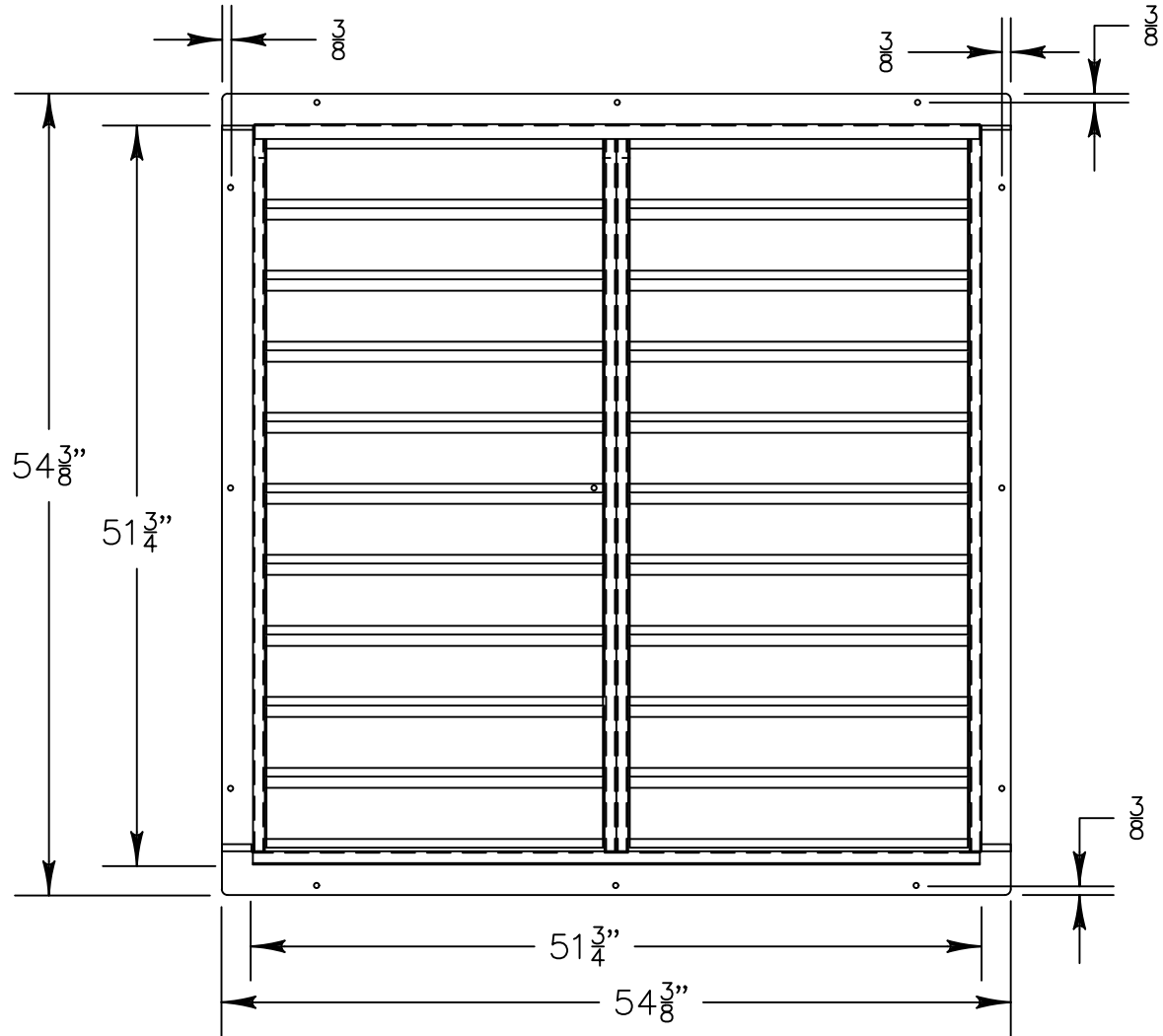


AIR
FLOW
←

SIDE SECT VIEW



DISCHARGE VIEW

Shutter Specifications

Intended Use: Supply

Frame: Welded Galvanized Steel

Finish: Bronze Polyester Powder Coat

Mounting: Mounts to wall **OVER** a RVI48 Series fan

Note: Must be equipped with an operator and Shutter must be fully opened before fan is energized. Operator sold separately.

*See TriangleFans.com for performance specifications

*Specifications are subject to change without notice

Blade Material: Extruded Aluminum

Blade Thickness: .050"

Bushings: Bronze Sintered



RIWSD48

NOT TO SCALE | 24 MAY 2013