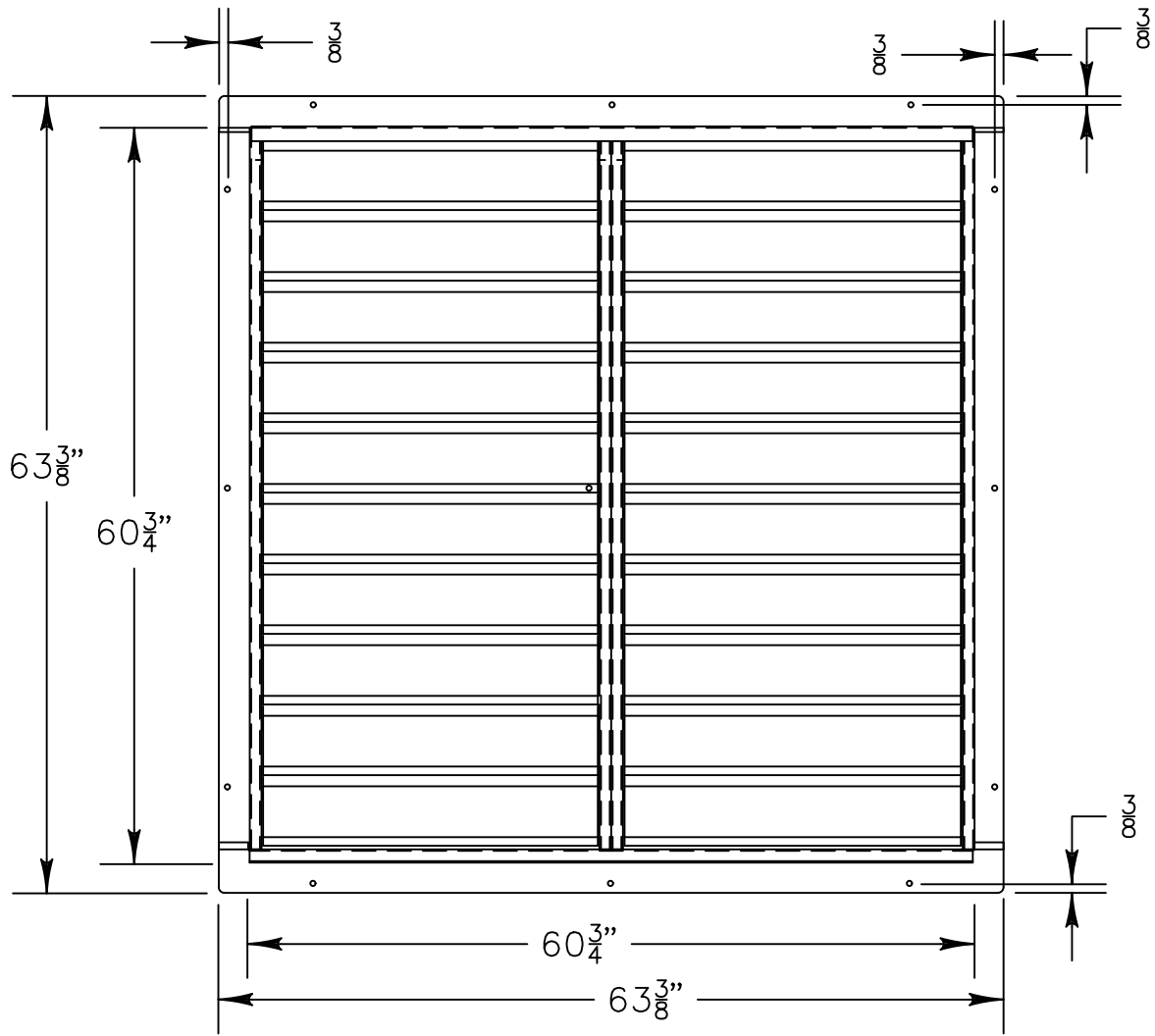


SIDE SECT VIEW



DISCHARGE VIEW

**Shutter Specifications**

- |   |                                   |
|---|-----------------------------------|
| Intended Use: Supply  | Blade Material: Extruded Aluminum |
| Frame: Welded Galvanized Steel  | Blade Thickness: .050"            |
| Finish: Bronze Polyester Powder Coat  | Bushings: Bronze Sintered         |
| Mounting: Mounts to wall OVER a RVI54 Series fan  |                                   |
| Note: Must be equipped with an operator and Shutter must be fully opened before fan is energized. Operator sold separately. |                                   |
| *See TriangleFans.com for performance specifications  |                                   |
| *Specifications are subject to change without notice  |                                   |



RIWSD54  
NOT TO SCALE | 13 MAY 1999