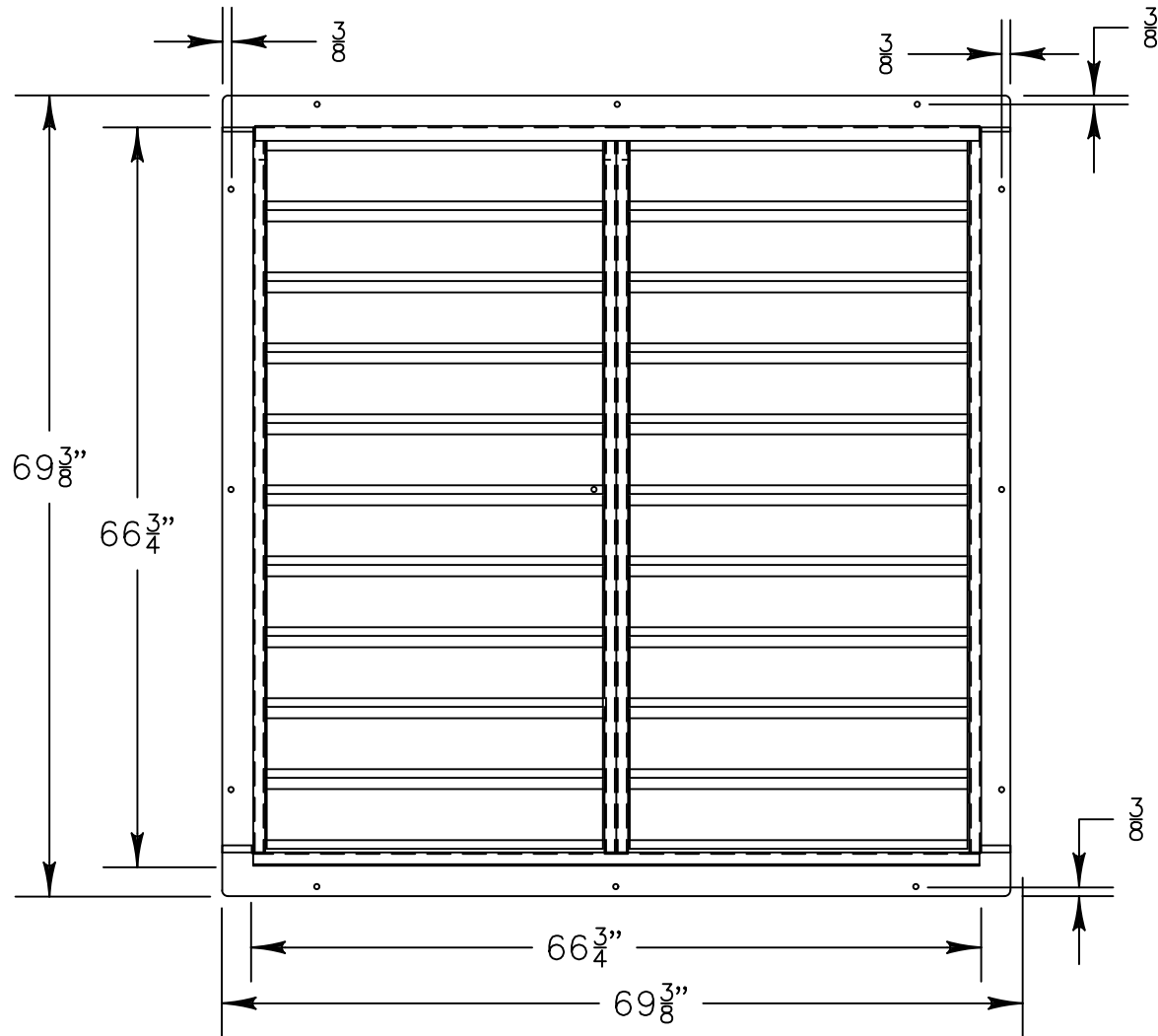


SIDE SECT VIEW



DISCHARGE VIEW

Shutter Specifications

- | | | | |
|--|---|------------------|-------------------|
| Intended Use: | Supply | Blade Material: | Extruded Aluminum |
| Frame: | Welded Galvanized Steel | Blade Thickness: | .050" |
| Finish: | Bronze Polyester Powder Coat | Bushings: | Bronze Sintered |
| Mounting: | Mounts to wall OVER a RV160 Series fan | | |
| Note: | Must be equipped with an operator and Shutter must be fully opened before fan is energized. Operator sold separately. | | |
| *See TriangleFans.com for performance specifications | | | |
| *Specifications are subject to change without notice | | | |



RIWSD60

NOT TO SCALE | 19 OCT 2016