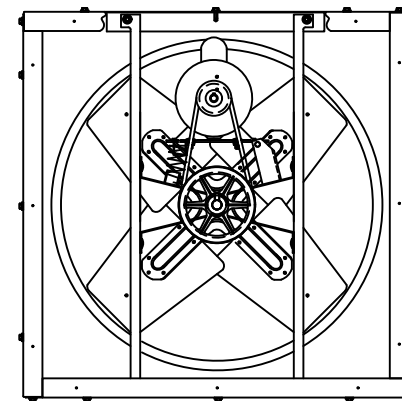
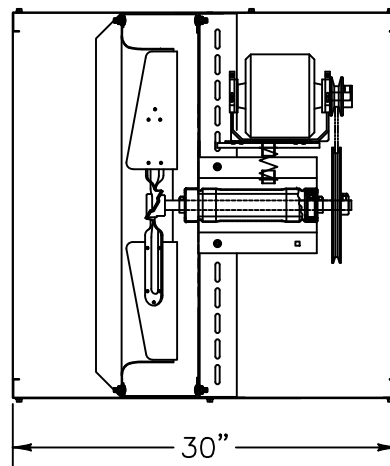


INTAKE VIEW



DISCHARGE VIEW

### Supply Fan Specifications

Blade Diameter:	24"	Motor Enclosure:	TEFC
Drive:	Belt	Duty Cycle:	Continuous Duty
Horsepower:	1/2	Guards:	N/A
Voltage:	230/460	Power Cord:	N/A
Phase:	3		
RPM:	840		

\*See TriangleFans.com for performance specifications  
 \*Specifications are subject to change without notice

 <b>TRIANGLE</b> <b>ENGINEERING</b>	RVI2413T-X
	NOT TO SCALE   1 OCT 2015