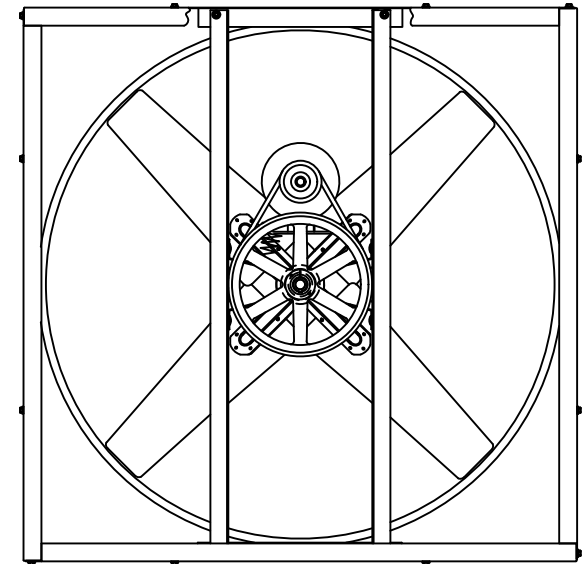
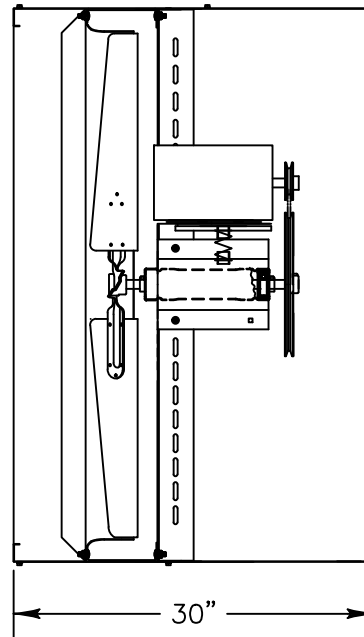


INTAKE VIEW



DISCHARGE VIEW

Supply Fan Specifications

Blade Diameter:	42"	Motor Enclosure:	ODP
Drive:	Belt	Duty Cycle:	Continuous Duty
Horsepower:	1.5	Guards:	N/A
Voltage:	115/230	Power Cord:	N/A
Phase:	1		
RPM:	500		

*See TriangleFans.com for performance specifications

*Specifications are subject to change without notice



RVI4216-U

NOT TO SCALE | 6 OCT 2015