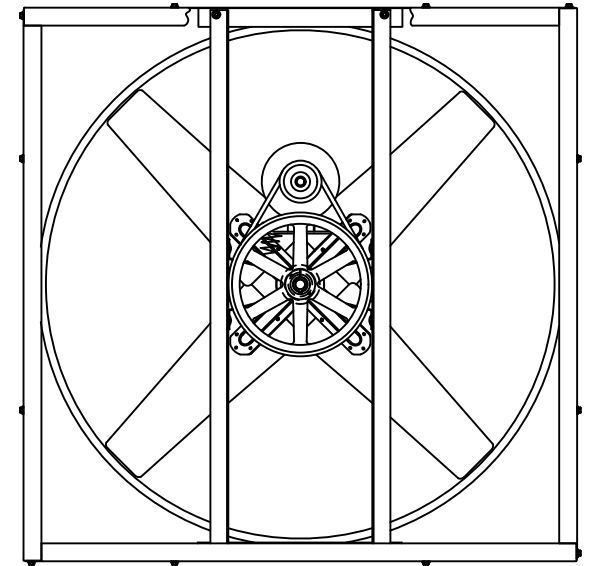
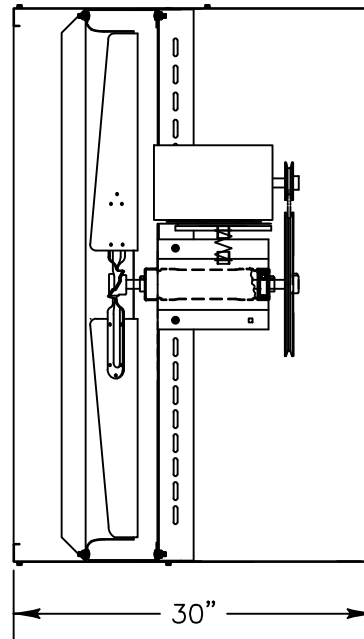


INTAKE VIEW



DISCHARGE VIEW

Supply Fan Specifications

Blade Diameter:	48"	Motor Enclosure:	ODP
Drive:	Belt	Duty Cycle:	Continuous Duty
Horsepower:	1	Guards:	N/A
Voltage:	230/460	Power Cord:	N/A
Phase:	3		
RPM:	470		

*See TriangleFans.com for performance specifications

*Specifications are subject to change without notice

 TRIANGLE ENGINEERING	RVI4815-X
	NOT TO SCALE 6 OCT 2015