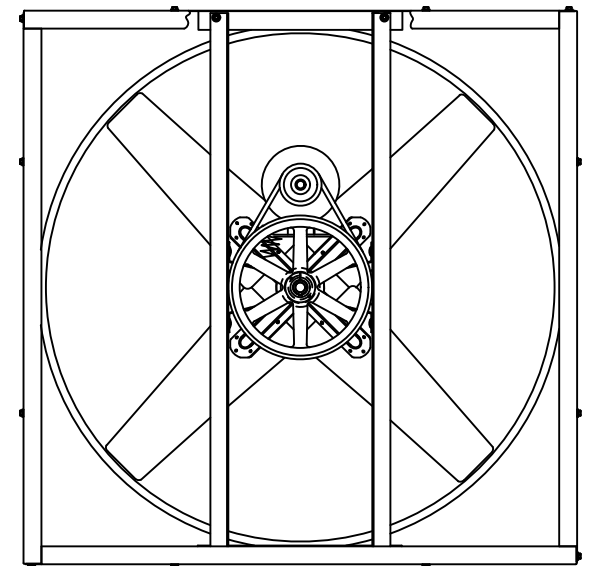
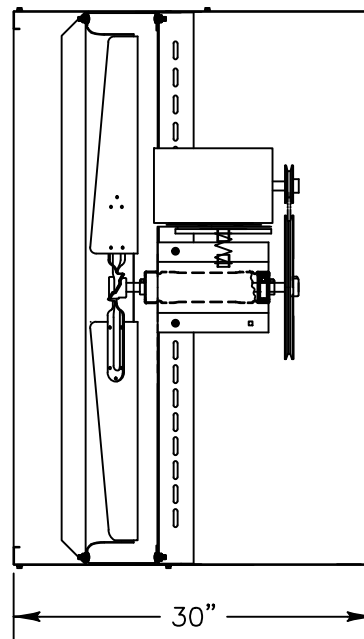


INTAKE VIEW



DISCHARGE VIEW

### Supply Fan Specifications

Blade Diameter:	48"	Motor Enclosure:	ODP
Drive:	Belt	Duty Cycle:	Continuous Duty
Horsepower:	1.5	Guards:	N/A
Voltage:	115/230	Power Cord:	N/A
Phase:	1		
RPM:	475		

\*See TriangleFans.com for performance specifications

\*Specifications are subject to change without notice

 <b>TRIANGLE ENGINEERING</b>	RVI4816-U
	NOT TO SCALE   6 OCT 2015