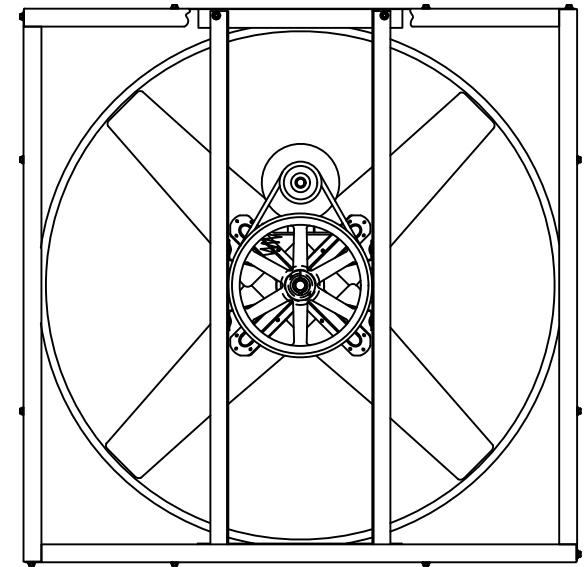
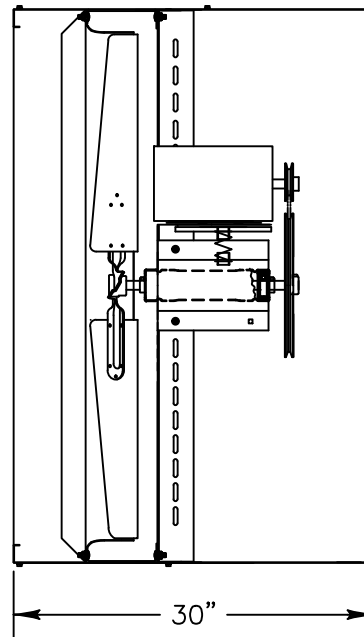


INTAKE VIEW



DISCHARGE VIEW

### Supply Fan Specifications

Blade Diameter:	48"	Motor Enclosure:	ODP
Drive:	Belt	Duty Cycle:	Continuous Duty
Horsepower:	1.5	Guards:	N/A
Voltage:	230/460	Power Cord:	N/A
Phase:	3		
RPM:	475		

\*See TriangleFans.com for performance specifications  
 \*Specifications are subject to change without notice

 <b>TRIANGLE</b> <b>ENGINEERING</b>	RVI4816-X
	NOT TO SCALE   6 OCT 2015