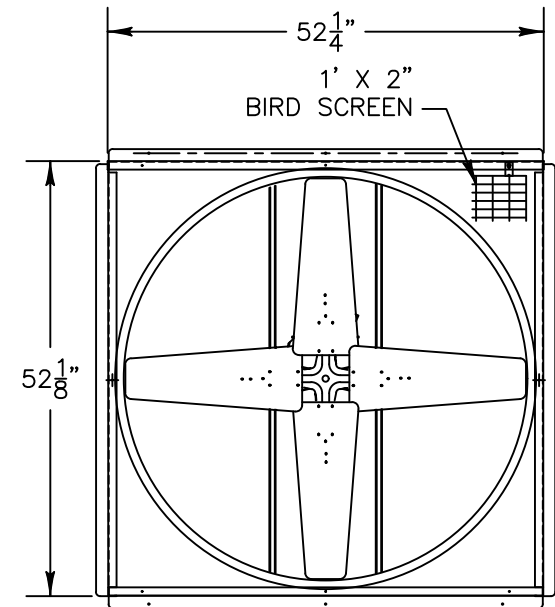
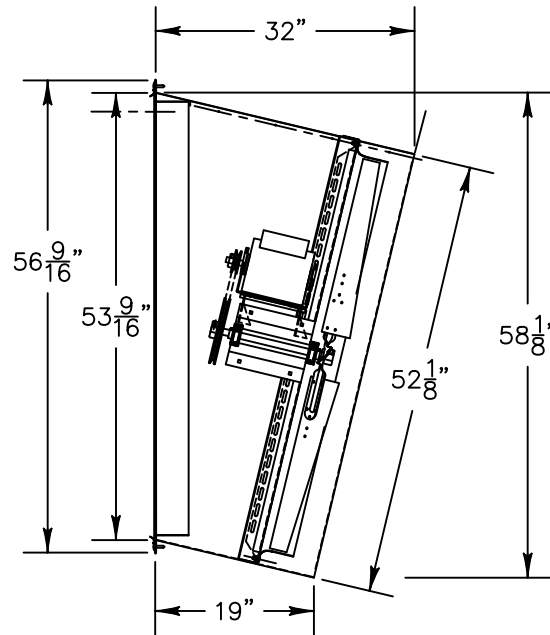
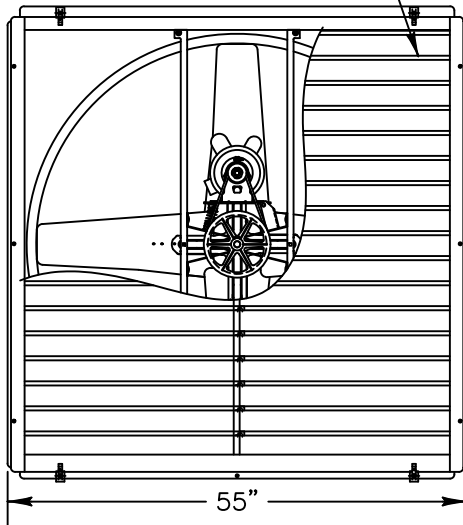


SHUTTER SHOWN  
CUTAWAY FOR CLARITY



## Fan Specifications

Blade Diameter:	48"	Motor Enclosure:	TEAO
Drive:	Belt	Duty Cycle:	Continuous Duty
Horsepower:	1	Guard:	1"X2" Bird Screen
Voltage:	230	Power Cord:	10' with molded plug
Phase:	1		
RPM:	475		

\*See TriangleFans.com for performance specifications  
\*Specifications are subject to change without notice



SLW4815

NOT TO SCALE | 7 AUG 2019