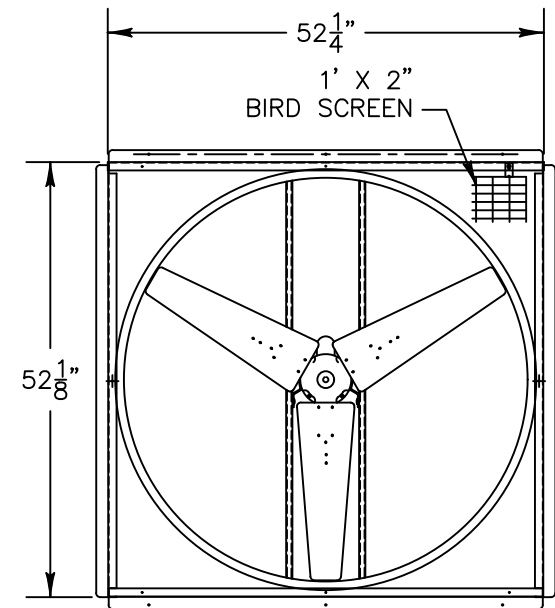
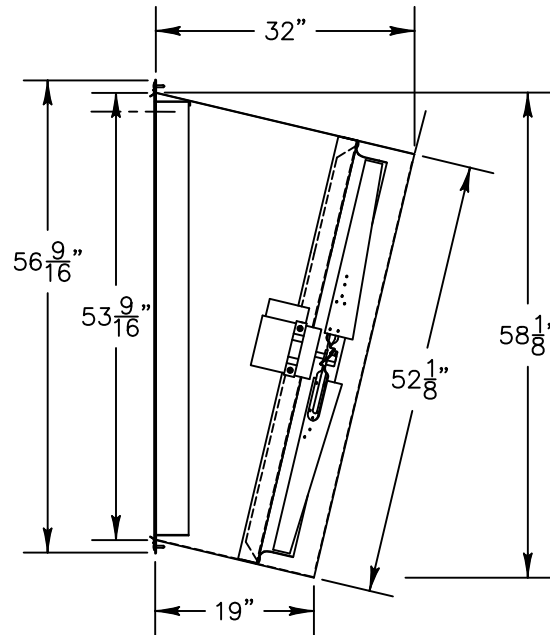
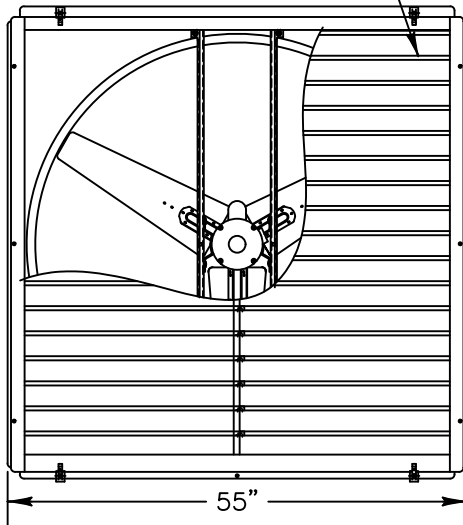


SHUTTER SHOWN
CUTAWAY FOR CLARITY



Fan Specifications

Blade Diameter:	48"	Motor Enclosure:	TEAO
Drive:	Direct	Duty Cycle:	Continuous Duty
Horsepower:	1	Guard:	1"X2" Bird Screen
Voltage:	230	Power Cord:	10' with molded plug
Phase:	1		
RPM:	827		

*See TriangleFans.com for performance specifications

*Specifications are subject to change without notice



SLW4815D

NOT TO SCALE | 7 AUG 2019