



THE MANCOOLER

Triangle's ManCoolers are designed with heavy duty welded rolled angle rings and thick gauge barrels to withstand rough, on the job handling. All Triangle ManCoolers come standard from the factory with a lifting eye. They are ideally suited for welding booths, personnel cooling, equipment cooling, steel mills and oil rigs.

Features

- Direct drive
- Durable polyester powder coat finish
- Single-phase or three-phase models available with TE or HL motors
- OSHA approved spiral wound guards
- Airfoil propellers



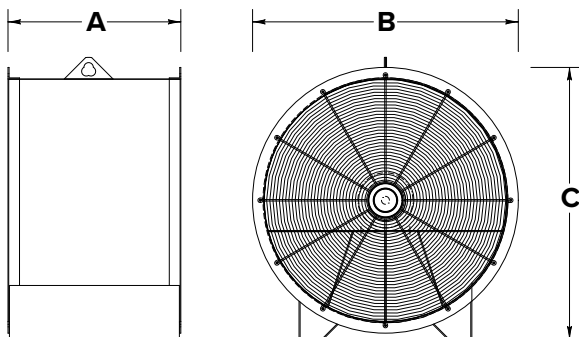
LOW STAND MANCOOLER



- Direct drive
- Durable polyester powder coat finish
- Airfoil propellers
- Lifting eye

Diam	HP	CFM	RPM	Totally Enclosed		Hazardous Location*	
				1PH	3PH	1PH	3PH
18"	1/2 HP	2,990	1750	MCLS1813T-U-1800	MCLS1813T-X-1800	MCLS1813HL-U-1800	MCLS1813HL-X-1800
24"	1/4 HP	4,670	1750	MCLS2411T-U-1800	MCLS2411T-X-1800	MCLS2411HL-U-1800	MCLS2411HL-X-1800
	1/2 HP	5,550	1750	MCLS2413T-U-1800	MCLS2413T-X-1800	MCLS2413HL-U-1800	MCLS2413HL-X-1800
	3/4 HP	6,830	1140	MCLS2414T-U-1200	MCLS2414T-X-1200	MCLS2414HL-U-1200	MCLS2414HL-X-1200
	1 HP	6,805	1750	MCLS2415T-U-1800	MCLS2415T-X-1800	MCLS2415HL-U-1800	MCLS2415HL-X-1800
	3 HP	9,810	1750	MCLS2418T-U-1800	MCLS2418T-X-1800	MCLS2418HL-U-1800	MCLS2418HL-X-1800
30"	1/2 HP	7,820	1750	MCLS3013T-U-1800	MCLS3013T-X-1800	MCLS3013HL-U-1800	MCLS3013HL-X-1800
	3/4 HP	8,990	1140	MCLS3014T-U-1200	MCLS3014T-X-1200	MCLS3014HL-U-1200	MCLS3014HL-X-1200
	1 1/2 HP	11,300	1750	MCLS3016T-U-1800	MCLS3016T-X-1800	MCLS3016HL-U-1800	MCLS3016HL-X-1800
	2 HP	12,500	1140		MCLS3017T-X-1200		MCLS3017HL-X-1200
	3 HP	15,300	1750	MCLS3018T-U-1800	MCLS3018T-X-1800	MCLS3018HL-U-1800	MCLS3018HL-X-1800
36"	1 1/2 HP	14,460	1750	MCLS3616T-U-1800	MCLS3616T-X-1800	MCLS3616HL-U-1800	MCLS3616HL-X-1800
	2 HP	16,050	1140		MCLS3617T-X-1200		MCLS3617HL-X-1200
		15,920	1750	MCLS3617T-U-1800	MCLS3617T-X-1800	MCLS3617HL-U-1800	MCLS3617HL-X-1800
	3 HP	20,120	1140	MCLS3618T-U-1200	MCLS3618T-X-1200		MCLS3618HL-X-1200
42"	2 HP	21,210	1140		MCLS4217T-X-1200		MCLS4217HL-X-1200
	5 HP	28,791	1140		MCLS4219T-X-1200		MCLS4219HL-X-1200
48"	7 1/2 HP	45,050	1140		MCLS481AT-X-1200		MCLS481AHL-X-1200
	10 HP	49,700	1140		MCLS481BT-X-1200		

*See page 111 for information on hazardous location models.



Fan Size	A	B	C
18"	20"	21 1/8"	22 1/8"
24"	20"	27 1/8"	28 1/8"
30"	22"	34 1/8"	35 1/8"
36"	28"	40 1/8"	41 1/8"
42"	28"	46 1/8"	47 1/8"
48"	30"	52 1/8"	53 1/8"



PORTABLE FANS: MANCOOLER

501-982-7558 ▶ TriangleFans.com

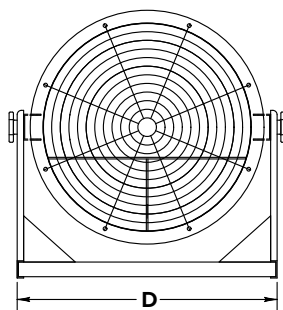
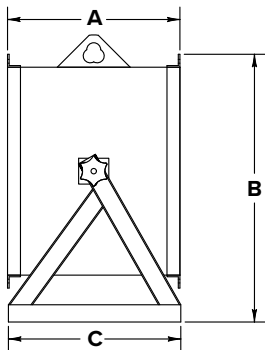
MEDIUM STAND MANCOOLER



- Direct drive
- Durable polyester powder coat finish
- Airfoil propellers
- Lifting eye
- 180° adjustment of air delivery

Diam	HP	CFM	RPM	Totally Enclosed		Hazardous Location*	
				1PH	3PH	1PH	3PH
18"	1/2 HP	2,990	1750	MCMS1813T-U-1800	MCMS1813T-X-1800	MCMS1813HL-U-1800	MCMS1813HL-X-1800
24"	1/4 HP	4,670	1750	MCMS2411T-U-1800	MCMS2411T-X-1800	MCMS2411HL-U-1800	MCMS2411HL-X-1800
	1/2 HP	5,550	1750	MCMS2413T-U-1800	MCMS2413T-X-1800	MCMS2413HL-U-1800	MCMS2413HL-X-1800
	3/4 HP	6,830	1140	MCMS2414T-U-1200	MCMS2414T-X-1200	MCMS2414HL-U-1200	MCMS2414HL-X-1200
	1 HP	6,805	1750	MCMS2415T-U-1800	MCMS2415T-X-1800	MCMS2415HL-U-1800	MCMS2415HL-X-1800
	3 HP	9,810	1750	MCMS2418T-U-1800	MCMS2418T-X-1800	MCMS2418HL-U-1800	MCMS2418HL-X-1800
30"	1/2 HP	7,820	1750	MCMS3013T-U-1800	MCMS3013T-X-1800	MCMS3013HL-U-1800	MCMS3013HL-X-1800
	3/4 HP	8,990	1140	MCMS3014T-U-1200	MCMS3014T-X-1200	MCMS3014HL-U-1200	MCMS3014HL-X-1200
	1 1/2 HP	11,300	1750	MCMS3016T-U-1800	MCMS3016T-X-1800	MCMS3016HL-U-1800	MCMS3016HL-X-1800
	2 HP	12,500	1140		MCMS3017T-X-1200		MCMS3017HL-X-1200
	3 HP	15,300	1750	MCMS3018T-U-1800	MCMS3018T-X-1800	MCMS3018HL-U-1800	MCMS3018HL-X-1800
36"	1 1/2 HP	14,460	1750	MCMS3616T-U-1800	MCMS3616T-X-1800	MCMS3616HL-U-1800	MCMS3616HL-X-1800
	2 HP	16,050	1140		MCMS3617T-X-1200		MCMS3617HL-X-1200
		15,920	1750	MCMS3617T-U-1800	MCMS3617T-X-1800	MCMS3617HL-U-1800	MCMS3617HL-X-1800
	3 HP	20,120	1140	MCMS3618T-U-1200	MCMS3618T-X-1200		MCMS3618HL-X-1200
42"	2 HP	21,210	1140		MCMS4217T-X-1200		MCMS4217HL-X-1200
	5 HP	28,791	1140		MCMS4219T-X-1200		MCMS4219HL-X-1200
48"	7 1/2 HP	45,050	1140		MCMS481AT-X-1200		MCMS481AHL-X-1200
	10 HP	49,700	1200		MCLS481BT-X-1200		

*See page 111 for information on hazardous location models.



Fan Size	A	B	C	D
18"	20"	26"	21"	24"
24"	20"	32"	21"	30"
30"	22"	39"	25 1/2"	36"
36"	28"	42"	31"	42"
42"	28"	50 1/2"	33"	48"
48"	30"	56 5/8"	37"	54"



HAZARDOUS LOCATION MODELS

Hazardous location models are made to order and are not returnable.
They come equipped with:

- No wiring
- Aluminum blades
- Stationary motor mounts

Motor Ratings

Belt Drive Models: Single Speed, DIV. I, Class I, Group D & Class II, Groups F & G

Direct Drive Models: Consult Factory

CAUTION - WARNING

Although this product is supplied with an explosion proof motor and blades with spark resistant aluminum paddles, it is not intended to convey the suitability of the overall finished product in a hazardous atmosphere, but only that the product has been supplied with certain components for this purpose. Application and wiring must be in accordance with local, state and national codes and performed by a qualified electrician. Fans not appropriate for use where paint residue can accumulate on motor or blade. Hazardous location motors **cannot be run into service factor** so fan performance may be slightly less than published.

