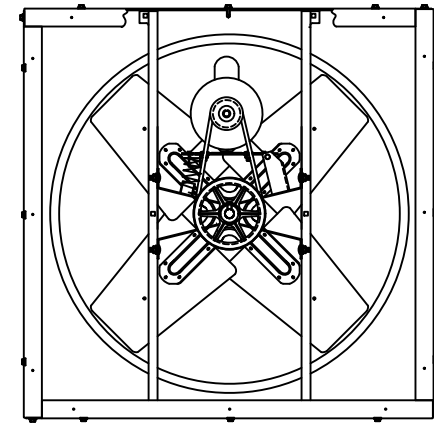
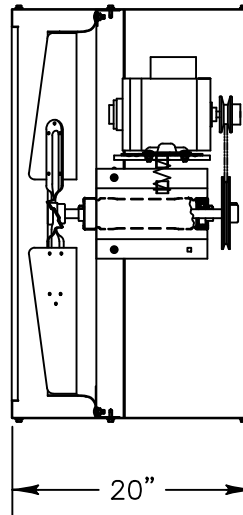


DISCHARGE VIEW



INTAKE VIEW

Exhaust Fan Specifications

Blade Diameter:	30"	Motor Enclosure:	TEFC
Drive:	Belt	Duty Cycle:	Continuous Duty
Horsepower:	1/2	Guards:	N/A
Voltage:	115/230	Power Cord:	10' with molded plug
Phase:	1		
RPM:	740		

*See TriangleFans.com for performance specifications

*Specifications are subject to change without notice



VI3013T-U

NOT TO SCALE | 24 SEP 2015