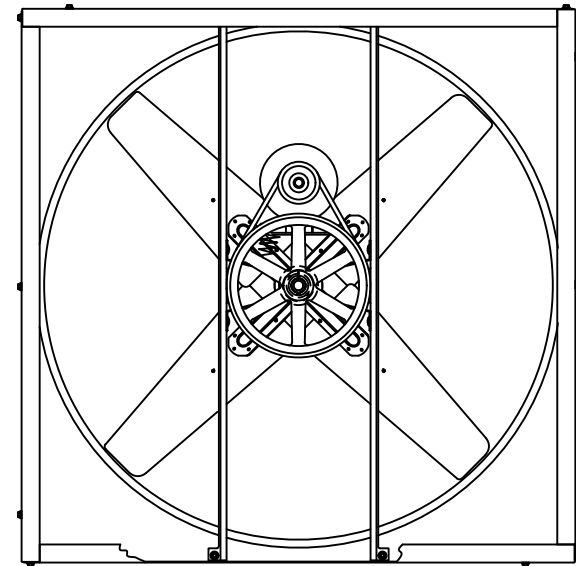
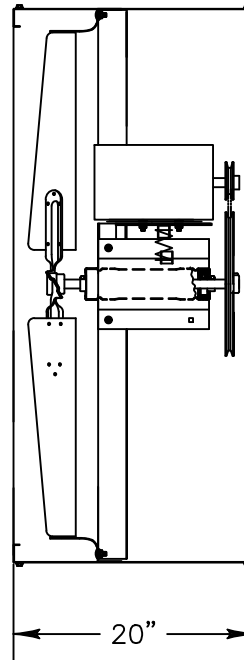


DISCHARGE VIEW



INTAKE VIEW

### Exhaust Fan Specifications

Blade Diameter:	36"	Motor Enclosure:	ODP
Drive:	Belt	Duty Cycle:	Continuous Duty
Horsepower:	1.5	Guards:	N/A
Voltage:	115/230	Power Cord:	N/A
Phase:	1		
RPM:	723		

\*See TriangleFans.com for performance specifications  
 \*Specifications are subject to change without notice



VI3616-U

NOT TO SCALE | 28 SEP 2015