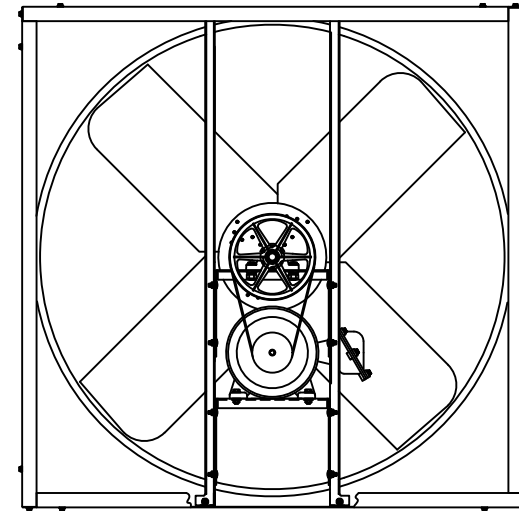
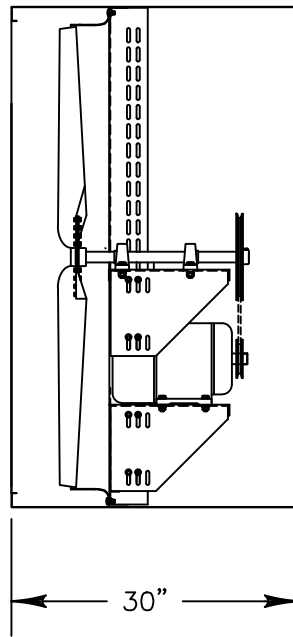


DISCHARGE VIEW



INTAKE VIEW

### Exhaust Fan Specifications

|                 |         |                  |                    |
|-----------------|---------|------------------|--------------------|
| Blade Diameter: | 60"     | Motor Enclosure: | Hazardous Location |
| Drive:          | Belt    | Duty Cycle:      | Continuous Duty    |
| Horsepower:     | 3       | Guards:          | N/A                |
| Voltage:        | 115/230 | Power Cord:      | N/A                |
| Phase:          | 1       |                  |                    |
| RPM:            | 610     |                  |                    |

\*See TriangleFans.com for performance specifications  
 \*Specifications are subject to change without notice



VI6018HL-U

NOT TO SCALE | 29 SEP 2015