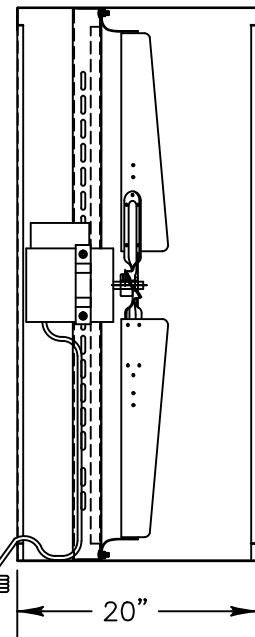
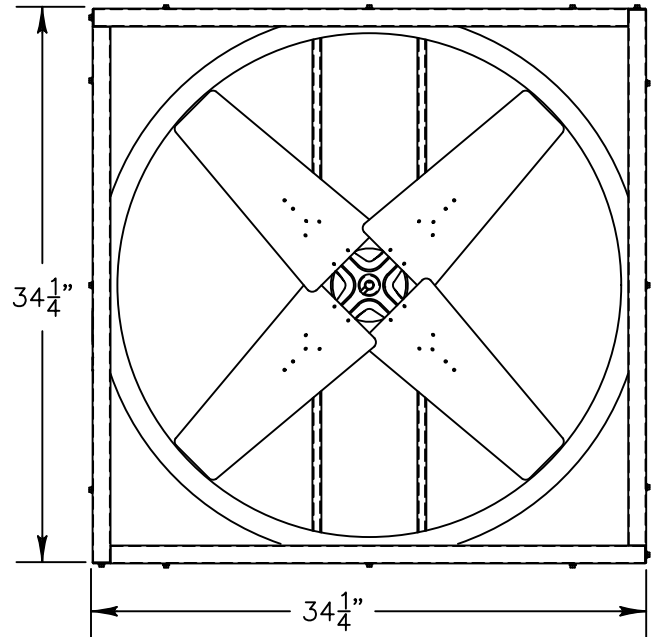


INTAKE VIEW



5 FOOT OF CORD  
OUTSIDE THE BOX.



DISCHARGE VIEW

**Exhaust Fan Specifications**

Blade Diameter:	30"	Motor Enclosure:	TEAO
Drive:	Direct	Duty Cycle:	Continuous Duty
Horsepower:	1/2	Guards:	N/A
Voltage:	230	Power Cord:	5' with molded plug
Phase:	1		
RPM:	840		

\*See TriangleFans.com for performance specifications  
 \*Specifications are subject to change without notice



VID3013T-W

NOT TO SCALE | 4 MAR 2009