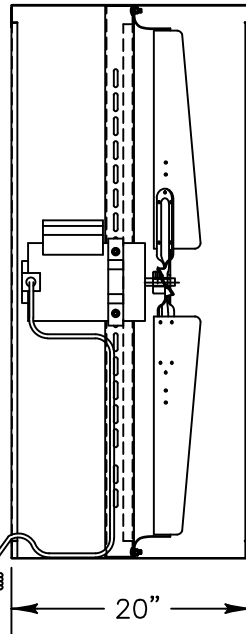
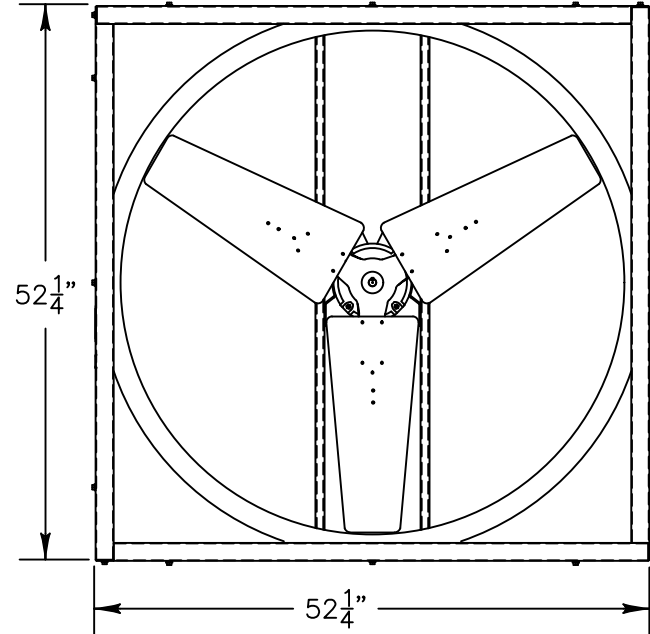


INTAKE VIEW



8 FOOT OF CORD  
OUTSIDE THE BOX.



DISCHARGE VIEW

### Exhaust Fan Specifications

Blade Diameter:	48"	Motor Enclosure:	TEAO
Drive:	Direct	Duty Cycle:	Continuous Duty
Horsepower:	1	Guards:	N/A
Voltage:	115	Power Cord:	8' with molded plug
Phase:	1		
RPM:	850		

\*See TriangleFans.com for performance specifications  
\*Specifications are subject to change without notice



VID4815T-V

NOT TO SCALE | 4 MAR 2009