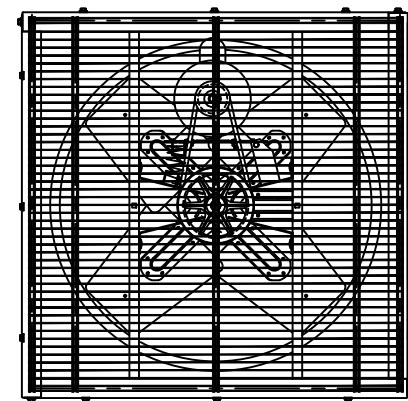
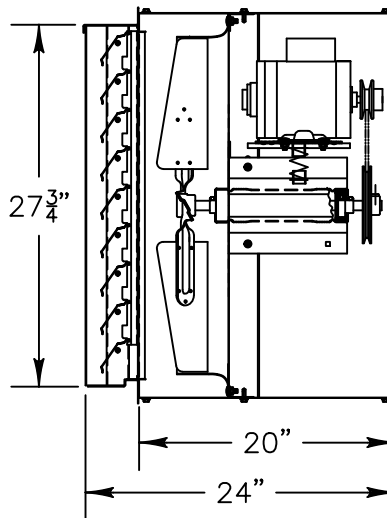


DISCHARGE VIEW



INTAKE VIEW

Exhaust Fan Specifications

Blade Diameter:	24"	Motor Enclosure:	TEFC
Drive:	Belt	Duty Cycle:	Continuous Duty
Horsepower:	1/2	Guard:	OSHA Compliant
Voltage:	230/460	Power Cord:	N/A
Phase:	3		
RPM:	840		

*See TriangleFans.com for performance specifications
 *Specifications are subject to change without notice



VIK2413T-X
 WALL FAN

NOT TO SCALE | 14 OCT 2015