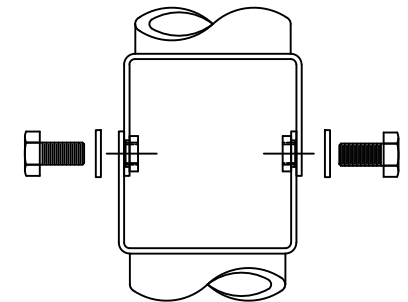
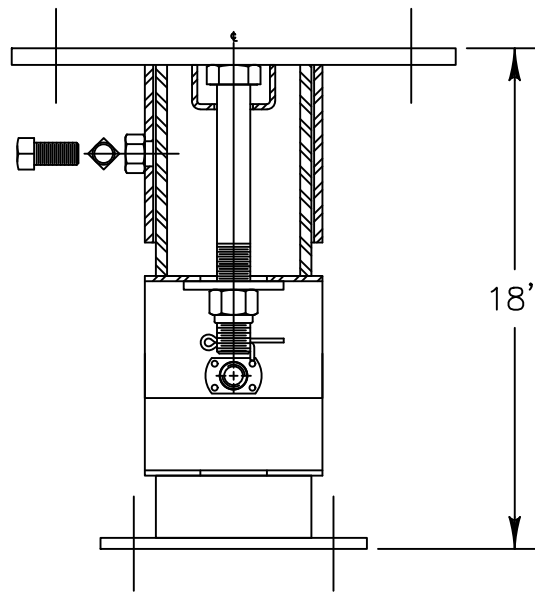
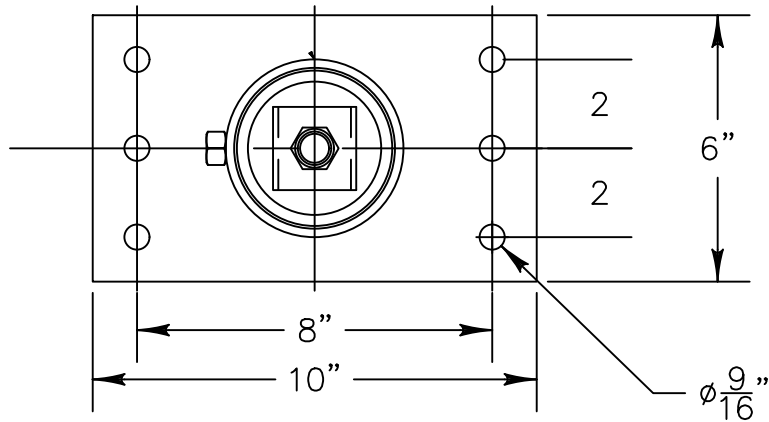
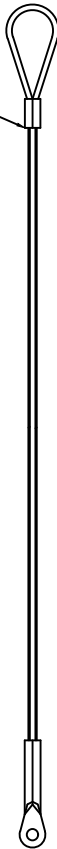


Safety Cable Included

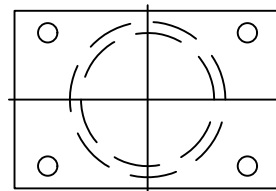


HV Mounting Equipment Specifications:

Applications: Ceiling/Beam Mount for 24" and 30" HV Series fans

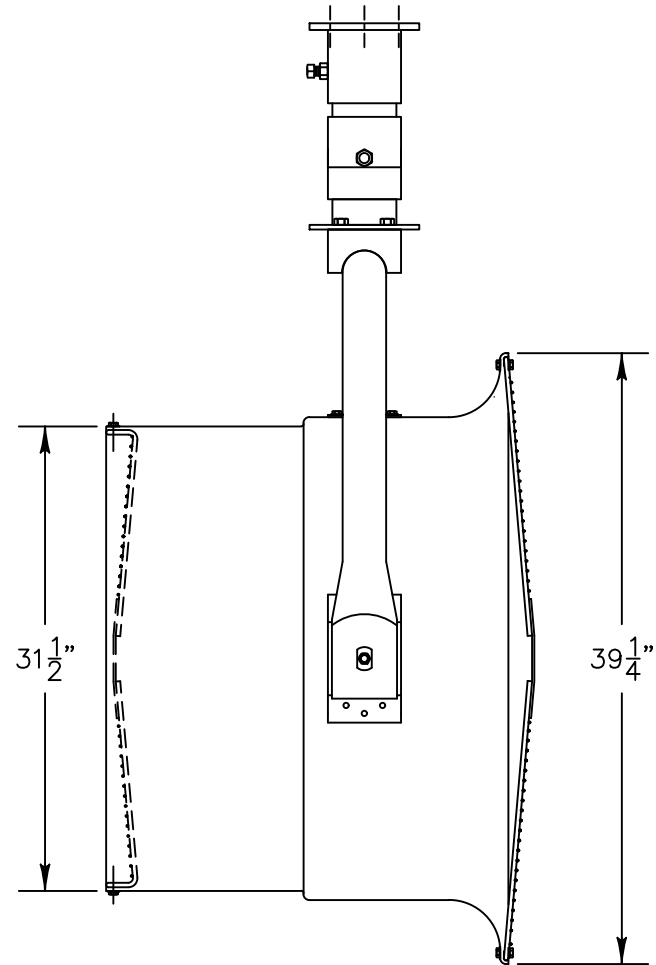
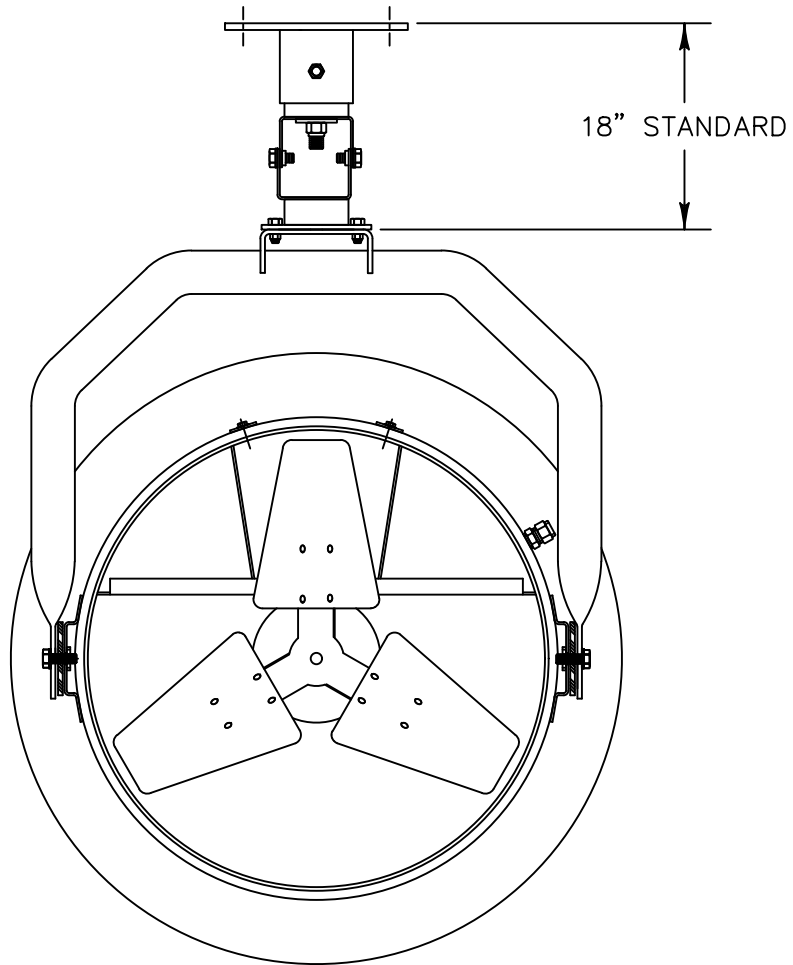
Notes:

- Can rotate 360°, then locked into position by set screw
- Other lengths available, consult factory
- Mounting fasteners not included



VMB2430

NOT TO SCALE | 7 MAR 2011



Notes:

- Above is a model representation of a VMB2430 with a 30" HV mounted to it.
- Fan sold separately.

	VMB2430 shown with 30" HV
	NOT TO SCALE 17 MAY 2011